

Ball valves

Model 50050 2-part ball valve F/F (58308) with aluminium pneumatic actuator (50800)



Specifications

⇒ Valve

Dimensions: DN8 to DN80 (1/4" to 3")

Connection: BSP female thread

Pressure: PN63 (1000 lbs)

Operating temperature: - 29°C to +175°C

Material: 316 or CF8M stainless steel

(for the stainless steel parts that can come into contact with the transported fluid)

⇒ Pneumatic actuator

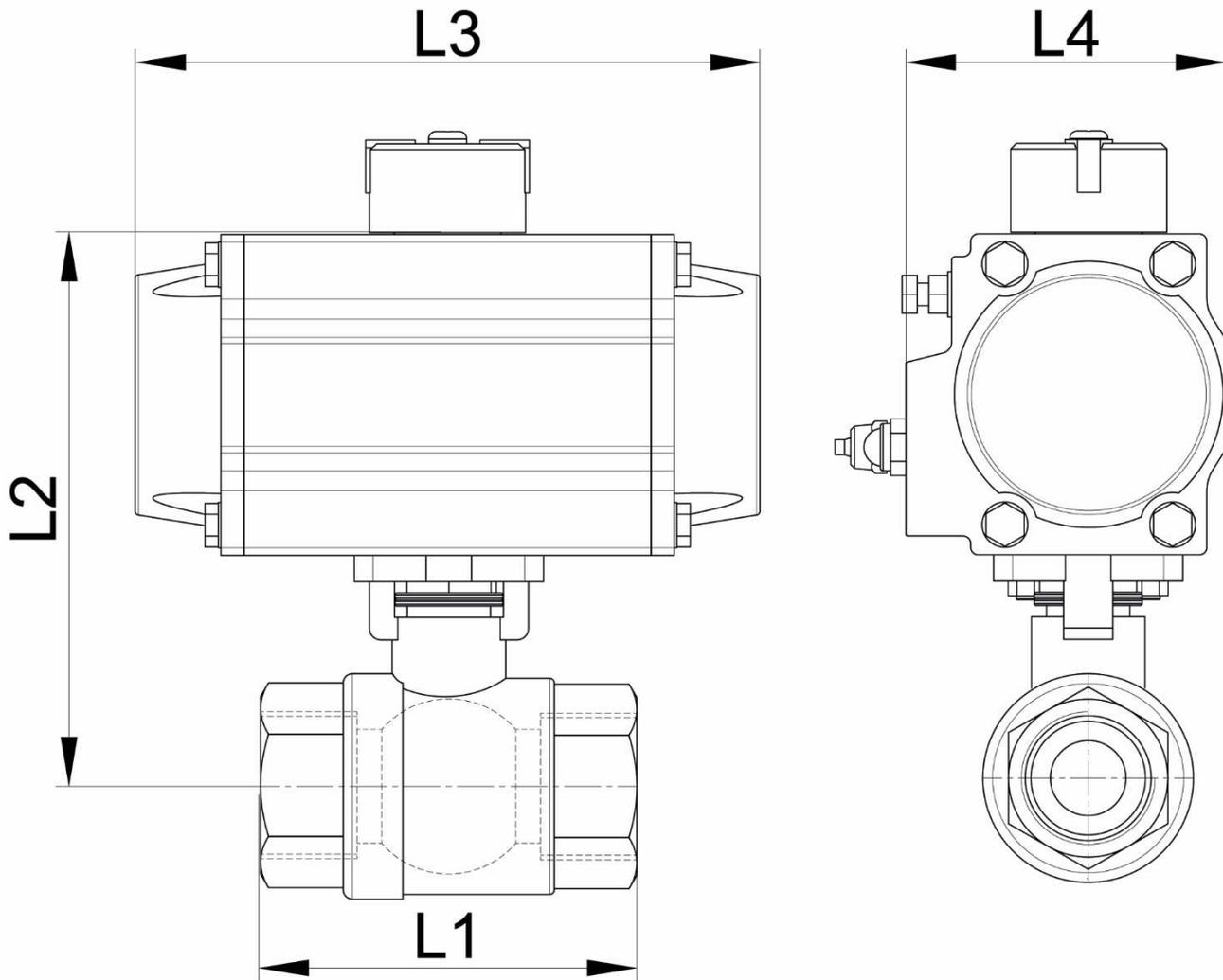
Air connection: 1/8" (VP50 to VP88) or

1/4" (VP100 to VP200)

Operating pressure: 6 to 8 bar

Operating temperature: -20°C to +80°C

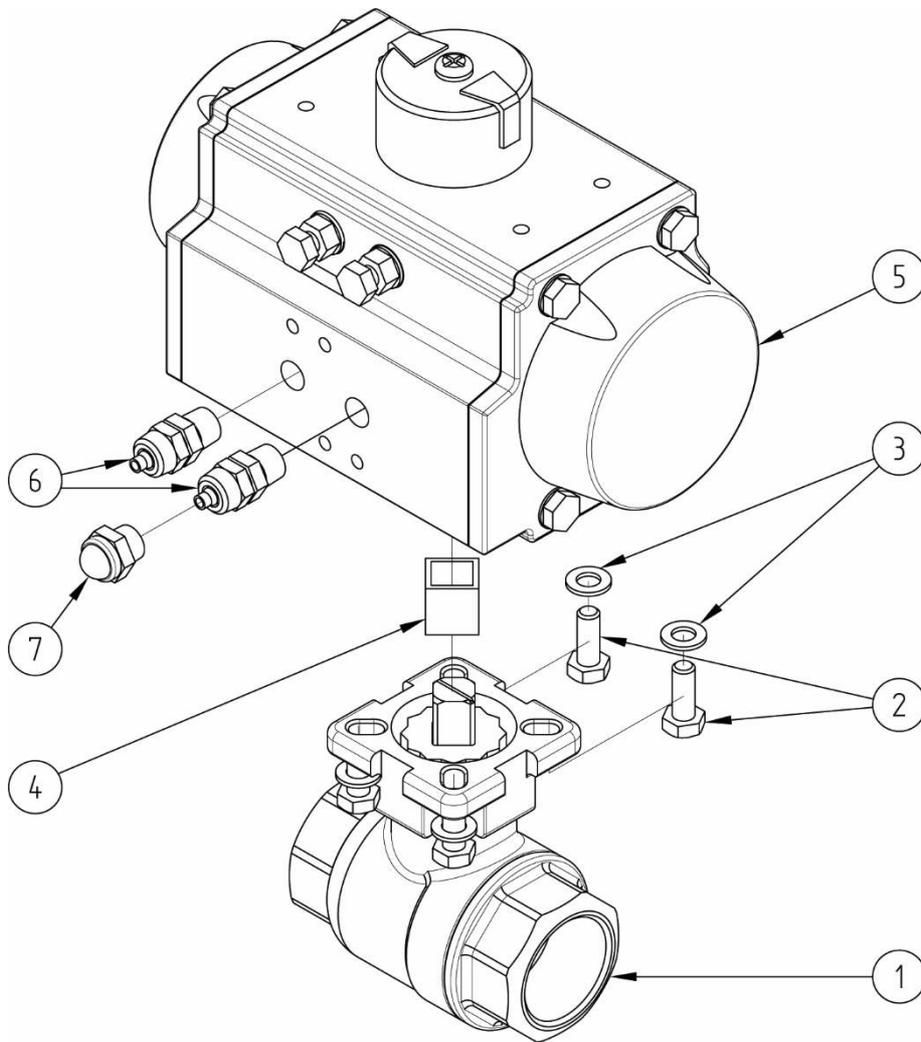
Material: aluminium



DN (mm)	NB (inches)	L1 (mm)	L2 (mm)	L3 (mm)	L4 (mm)	Weight (kg)	Spring return Part number	Double-acting Part number
8	1/4"	67	115	148	72	1.58	450050-8SE	450050-8DE
10	3/8"	67	115	148	72	1.55	450050-10SE	450050-10DE
15	1/2"	67	115	148	72	1.51	450050-15SE	450050-15DE
20	3/4"	70	134	164	84	2.11	450050-20SE	
20	3/4"	70	121	148	72	1.61		450050-20DE
25	1"	85	143	164	84	2.60	450050-25SE	450050-25DE
32	1"1/4	94	148	164	84	2.92	450050-32SE	450050-32DE
40	1"1/2	105	175	208	96	5.09	450050-40SE	450050-40DE
50	2"	125	182	208	96	6.32	450050-50SE	450050-50DE
65	2"1/2	155	228	268	123	11.80	450050-65SE	
65	2"1/2	155	216	248	108	10.25		450050-65DE
80	3"	173	237	268	123	18.90	450050-80SE	
80	3"	173	237	268	123	14.90		450050-80DE

Béné Inox – 11 chemin de la Pierre Blanche – 69800 SAINT-PRIEST – S.A.S with 240 000 € share capital – SIREN N° 311 810 287
Tel. N°: +33 (0)4 78 90 48 22 – Fax N°: +33 (0)4 78 90 69 59 – www.bene-inox.com – bene@bene-inox.com

Technical information, illustrations and photographs are provided for information only, they are not contractual. Some may vary according to the tolerances accepted in the profession and the applicable standards. All instructions for use, disassembly and maintenance are recommendations only. These could also vary depending on product usage conditions, its installation environment and purchaser requirements – of which the purchaser alone is responsible for their definition.



N°	Part Name	Material	Quantity
1	2-PART VALVE (58308)	CF8M	1
2	FIXING SCREW	STAINLESS STEEL	4
3	WASHER	STAINLESS STEEL	4
4	COUPLER	STAINLESS STEEL	0 or 1
5	PNEUMATIC ACTUATOR (50800)	ALUMINIUM	1
6	CAPPED PNEUMATIC CONNECTOR	NICKEL-PLATED BRASS	1 (SE) or 2 (DE)
7	EXHAUST SILENCER	NICKEL-PLATED BRASS	1 (SE)

You can refer to the following product data sheets for more technical information:

- 58308-LMODI: 2-part valve female/female (**58308**)
- 50800-LMODI: Spring return or double-acting type pneumatic actuator (**50800**)

Béné Inox – 11 chemin de la Pierre Blanche – 69800 SAINT-PRIEST – S.A.S with 240 000 € share capital – SIREN N° 311 810 287
Tel. N°: +33 (0)4 78 90 48 22 – Fax N°: +33 (0)4 78 90 69 59 – www.bene-inox.com – bene@bene-inox.com

Technical information, illustrations and photographs are provided for information only, they are not contractual. Some may vary according to the tolerances accepted in the profession and the applicable standards. All instructions for use, disassembly and maintenance are recommendations only. These could also vary depending on product usage conditions, its installation environment and purchaser requirements – of which the purchaser alone is responsible for their definition.