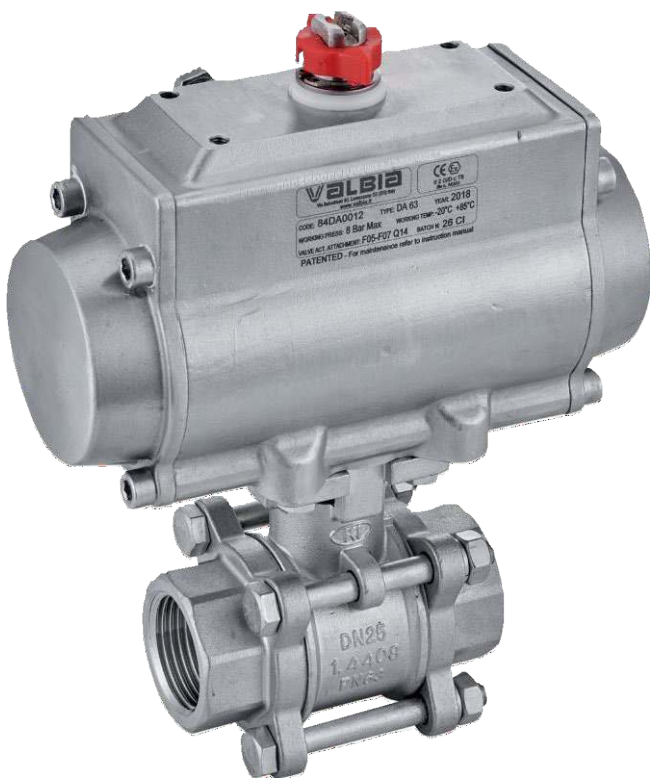


Ball valves

Model 50073 3-part ball valve F/F (58183) with stainless steel pneumatic actuator (50802)



Specifications

⇒ Valve

Dimensions: DN8 to DN100 (1/4" to 4")

Connection: BSP female thread

Pressure: PN63 (1000 lbs)

Operating temperature: - 29°C to +175°C

Material: 316 or CF8M stainless steel
(for the stainless steel parts that can come into contact with the transported fluid)

⇒ Pneumatic actuator

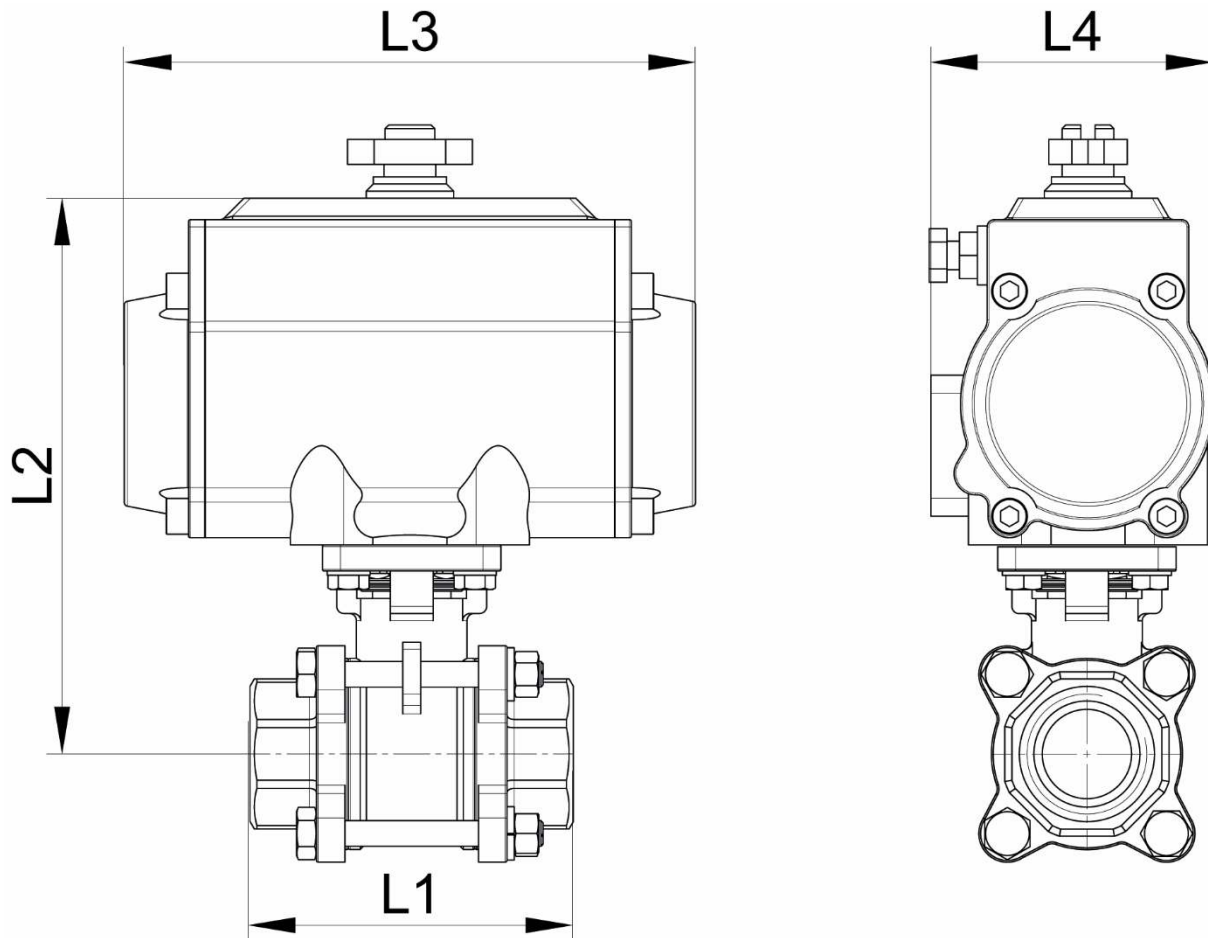
Air connection: 1/8" (VP50 to VP88) or

1/4" (VP100 to VP200)

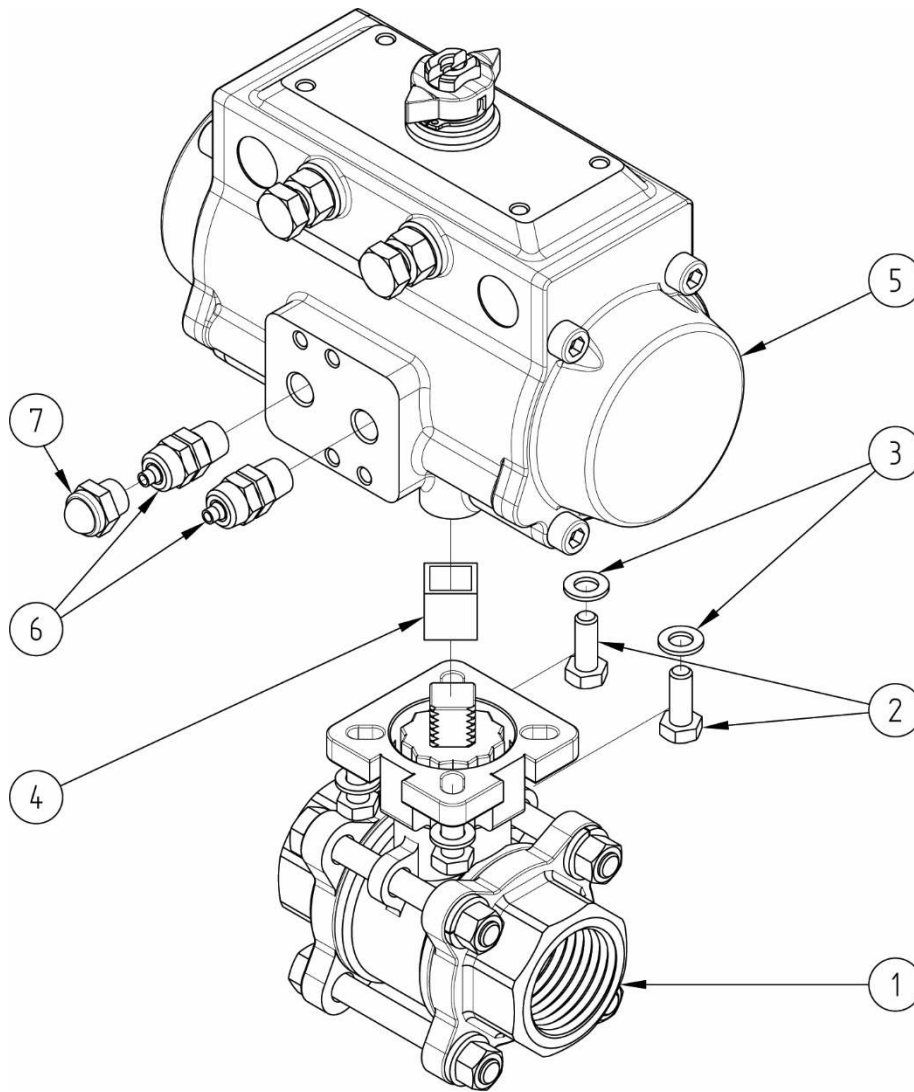
Operating pressure: 6 to 8 bar

Operating temperature: -20°C to +85°C

Material: stainless steel



DN (mm)	NB (inches)	L1 (mm)	L2 (mm)	L3 (mm)	L4 (mm)	Weight (kg)	Spring return Part number	Double-acting Part number
8	1/4"	75	128	141	71	2.92	450073-8SE	450073-8DE
10	3/8"	75	128	141	71	2.92	450073-10SE	450073-10DE
15	1/2"	75	128	141	71	2.98	450073-15SE	450073-15DE
20	3/4"	80	146	164	81	4.22	450073-20SE	
20	3/4"	80	135	141	71	3.22		450073-20DE
25	1"	90	156	164	81	4.67	450073-25SE	450073-25DE
32	1 1/4"	110	160	164	81	5.30	450073-32SE	450073-32DE
40	1 1/2"	120	188	210	95	8.25	450073-40SE	450073-40DE
50	2"	140	194	210	95	9.90	450073-50SE	450073-50DE
65	2 1/2"	185	244	275	123	20.20	450073-65SE	
65	2 1/2"	185	229	241	106	16.80		450073-65DE
80	3"	205	253	275	123	23.50	450073-80SE	450073-80DE
100	4"	240	284	275	123	35.30		450073-100DE



N°	Part Name	Material	Quantity
1	3-PART VALVE (58183)	CF8M	1
2	FIXING SCREW	STAINLESS STEEL	4
3	WASHER	STAINLESS STEEL	4
4	COUPLER	STAINLESS STEEL	0 or 1
5	PNEUMATIC ACTUATOR (50802)	STAINLESS STEEL	1
6	CAPPED PNEUMATIC CONNECTOR	NICKEL-PLATED BRASS	1 (SE) or 2 (DE)
7	EXHAUST SILENCER	NICKEL-PLATED BRASS	1 (SE)

You can refer to the following product data sheets for more technical information:

- 58183-LMODI: 3-part valve female/female (**58183**)
- 50802-LMODI: Spring return or double-acting type pneumatic actuator (**50802**)

Béné inox – 11 chemin de la Pierre Blanche – 69800 SAINT-PRIEST – S.A.S with 240 000 € share capital – SIREN N° 311 810 287
Tel. N°: +33 (0)4 78 90 48 22 – Fax N°: +33 (0)4 78 90 69 59 – www.bene-inox.com – bene@bene-inox.com

Technical information, illustrations and photographs are provided for information only, they are not contractual. Some may vary according to the tolerances accepted in the profession and the applicable standards. All instructions for use, disassembly and maintenance are recommendations only. These could also vary depending on product usage conditions, its installation environment and purchaser requirements – of which the purchaser alone is responsible for their definition.