

Ball valves

Model 50076 3-part ball valve F/F (58183) with electric actuator IP65 (50835)



Specifications

⇒ Valve

Dimensions: DN8 to DN80 (1/4" to 3")

Connection: BSP female thread

Pressure: PN63 (1000 lbs)

Operating temperature: - 29°C to +175°C

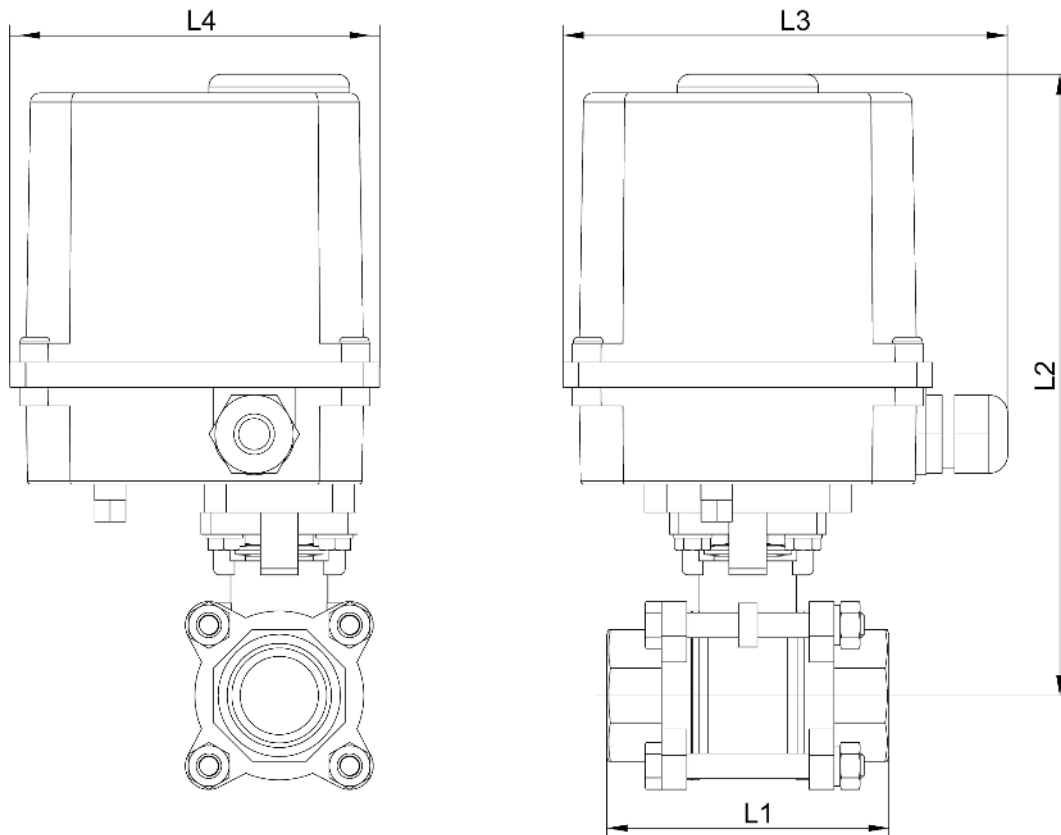
Material: 316 or CF8M stainless steel

(for the stainless steel parts that can come into contact with the transported fluid)

⇒ Electric actuator

Operating temperature: - 10°C to +50°C

Material: plastic

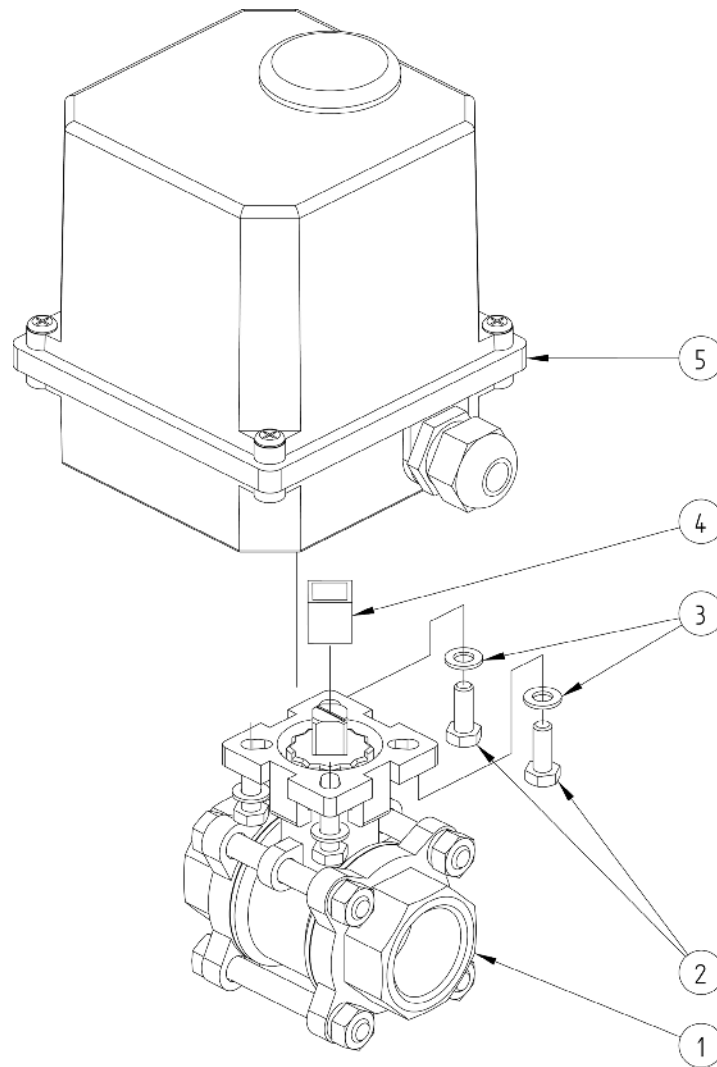


DN (mm)	NB (inches)	L1 (mm)	L2 (mm)	L3 (mm)	L4 (mm)	Opening/closing time (s)	Weight (kg)	Part number 230V 50Hz
8	1/4"	75	185	143	118	10	2.12	450076-8A
10	3/8"	75	185	143	118	10	2.12	450076-10A
15	1/2"	75	185	143	118	10	2.18	450076-15A
20	3/4"	80	192	143	118	10	2.42	450076-20A
25	1"	90	202	143	118	10	2.87	450076-25A
32	1"1/4	110	206	143	118	10	3.50	450076-32A
40	1"1/2	120	215	143	118	10	4.35	450076-40A
50	2"	140	245	204	165	8	8.60	450076-50A
65	2"1/2	185	267	204	165	8	12.70	450076-65A
80	3"	205	276	204	165	8	16.00	450076-80A

DN (mm)	NB (inches)	Opening/closing time (s)	Part number 24V 50Hz	Opening/closing time (s)	Part number 24V DC
r	1/4"	15	450076-8B	16	450076-8C
10	3/8"	15	450076-10B	16	450076-10C
15	1/2"	15	450076-15B	16	450076-15C
20	3/4"	15	450076-20B	16	450076-20C
25	1"	15	450076-25B	16	450076-25C
32	1"1/4	15	450076-32B	16	450076-32C
40	1"1/2	15	450076-40B	16	450076-40C

Béné Inox – 11 chemin de la Pierre Blanche – 69800 SAINT-PRIEST – S.A.S with 240 000 € share capital – SIREN N° 311 810 287
Tel. N°: +33 (0)4 78 90 48 22 – Fax N°: +33 (0)4 78 90 69 59 – www.bene-inox.com – bene@bene-inox.com

Technical information, illustrations and photographs are provided for information only, they are not contractual. Some may vary according to the tolerances accepted in the profession and the applicable standards. All instructions for use, disassembly and maintenance are recommendations only. These could also vary depending on product usage conditions, its installation environment and purchaser requirements – of which the purchaser alone is responsible for their definition.



N°	Part Name	Material	Quantity
1	3-PART VALVE (58183)	CF8M	1
2	FIXING SCREW	STAINLESS STEEL	4
3	WASHER	STAINLESS STEEL	4
4	COUPLER	STAINLESS STEEL	0 or 1
5	ELECTRIC SERVO MOTOR (50835)	PLASTIC	1

You can refer to the following product data sheets for more technical information:

- 58183-LMOD1: 3-part valve female/female
- 50835-LMOD1: Electric actuator