

Ball valves

Model 50085 3-part ball valve F/F (58183) with electric actuator IP66 (50840)



Specifications

⇒ Valve

Dimensions: DN8 to DN80 (1/4" to 3")

Connection: BSP female thread

Pressure: PN63 (1000 lbs)

Operating temperature: - 29°C to +175°C

Material: 316 or CF8M stainless steel
(for the stainless steel parts that can come into contact with the transported fluid)

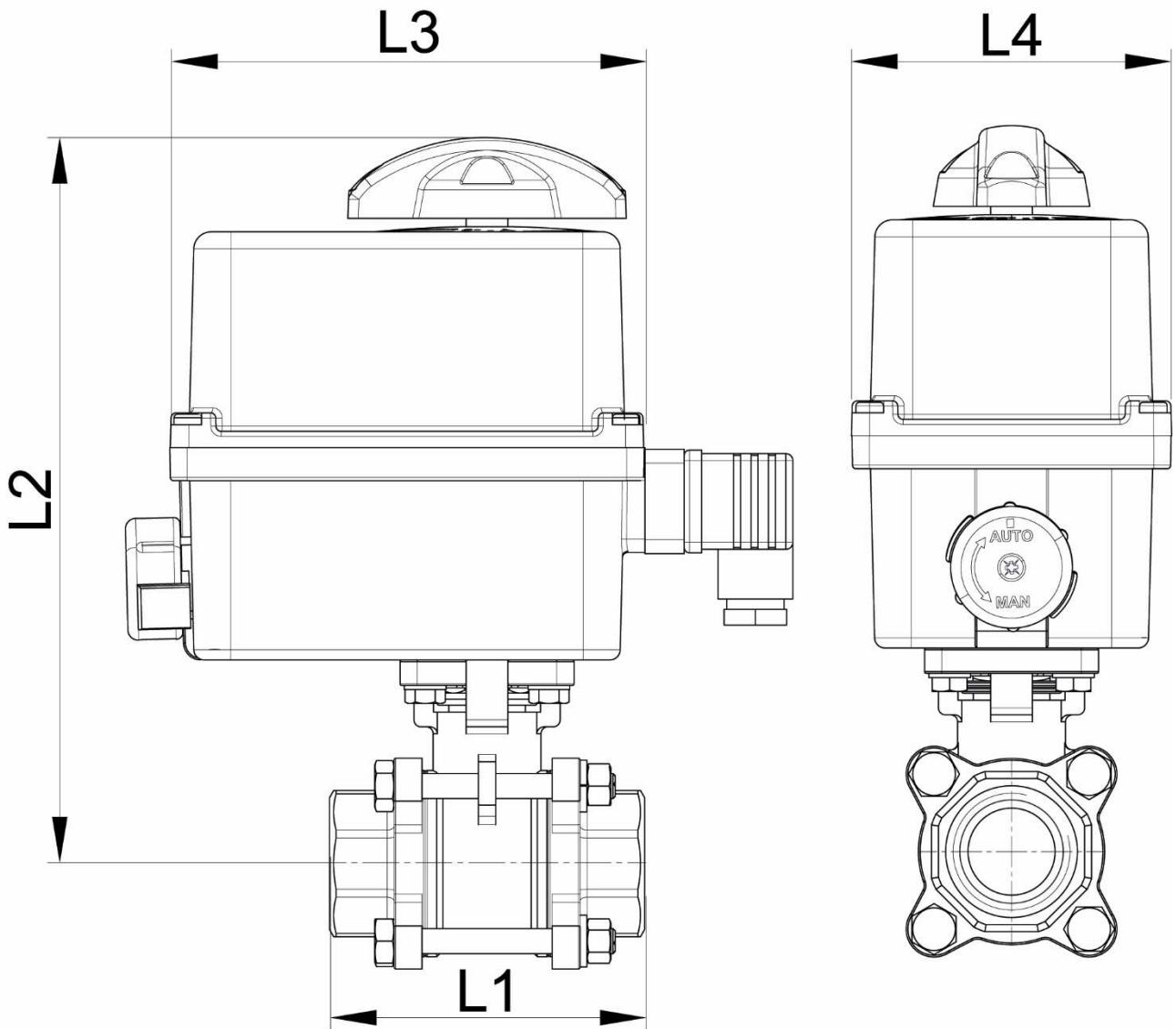
⇒ Electric actuator

Operating temperature: - 10°C to + 55°C

Plastic housing IP66

Visual position indicator

Regulated anti-condensation resistance



DN (mm)	NB (inches)	L1 (mm)	L2 (mm)	L3 (mm)	L4 (mm)	Opening/ closing time (90°) (s)	Weight (kg)	Part number 100- 230V AC and 100-350V DC	Opening/ closing time (90°) (s)	Part number 15- 30V AC and 12-48V DC
8	1/4"	75	194	136	92	11	1.52	450085-8A	11	450085-8B
10	3/8"	75	194	136	92	11	1.52	450085-10A	11	450085-10B
15	1/2"	75	194	136	92	11	1.58	450085-15A	11	450085-15B
20	3/4"	80	201	136	92	12	1.82	450085-20A	12	450085-20B
25	1"	90	211	136	92	12	2.27	450085-25A	12	450085-25B
32	1"1/4	110	215	136	92	26	2.90	450085-32A1	24	450085-32B1
32	1"1/4	110	239	151	128	7	4.00	450085-32A2	7	450085-32B2
40	1"1/2	120	224	136	92	26	3.75	450085-40A1	24	450085-40B1
40	1"1/2	120	248	151	128	7	4.85	450085-40A2	7	450085-40B2
50	2"	140	254	151	128	12	6.50	450085-50A	12	450085-50B
65	2"1/2	185	276	151	128	12	10.60	450085-65A	12	450085-65B
80	3"	205	285	151	128	23	13.90	450085-80A	22	450085-80B

Electric actuator with plastic housing IP66.

Visual position indicator.

Manual override control with safe clutch disengagement.

Configurable limit switches.

Torque limiting device.

Anti-condensation resistance.

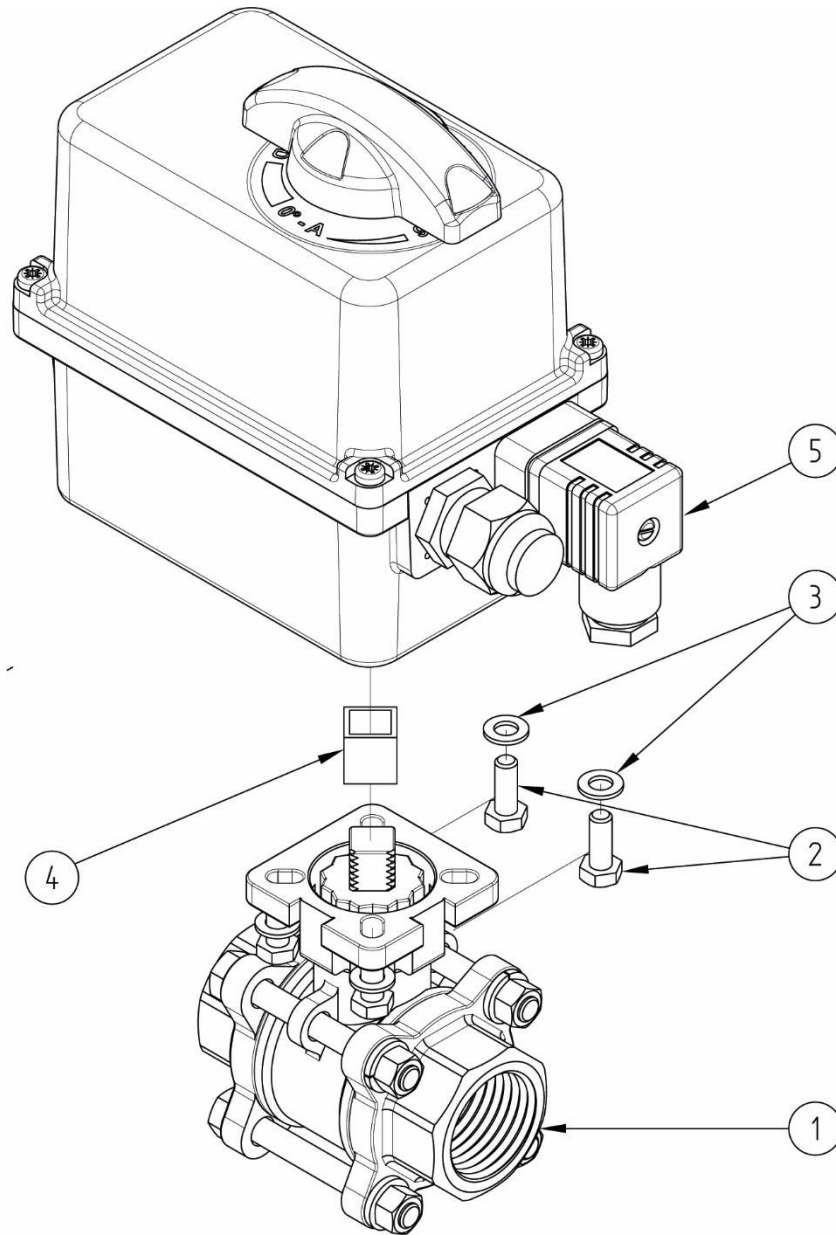
Actuator operating temperature: -10°C to +55°C

Duty cycle: 50%

Number of starts per hour: 150

Actuator sized for a ΔP valve = max. 16 bar. For $\Delta P > 16$ bar, please contact us.

Standard operation: Opening/closing at 0/90°



N°	Part Name	Material	Quantity
1	3-PART VALVE (58183)	CF8M	1
2	FIXING SCREW	STAINLESS STEEL	4
3	WASHER	STAINLESS STEEL	4
4	COUPLER	STAINLESS STEEL	0 or 1
5	ELECTRIC ACTUATOR	PLASTIC	1

You can refer to the following product data sheets for more technical information:

- 58183-LMODI: 3-part valve female/female (**58183**)
- 50840-LMODI: Electric actuator 90° - IP66