

Ball valves

Model 50210 3-way F/F/F ball valve with L-shaped bore and aluminium pneumatic actuator (50800)



Specifications

⇒ Valve

Dimensions: DN8 to DN50 (1/4" to 2")

Connection: BSP female thread

Pressure: PN63 (1000 lbs)

Operating temperature: - 29°C to +175°C

Material: 316 or CF8M stainless steel

(for the stainless steel parts that can come into contact with the transported fluid)

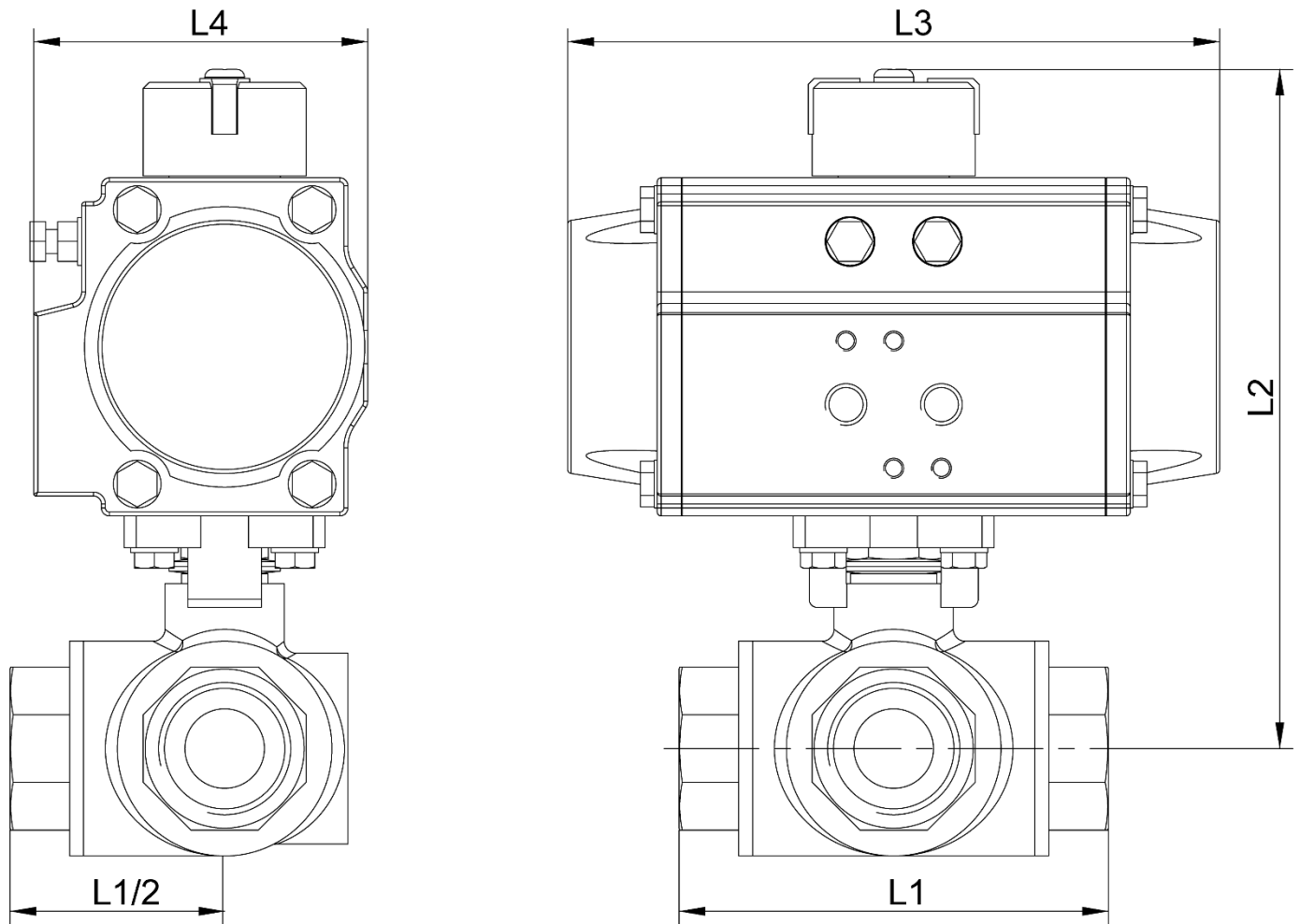
⇒ Pneumatic actuator

Air connection: 1/8" (VP50 to VP88)

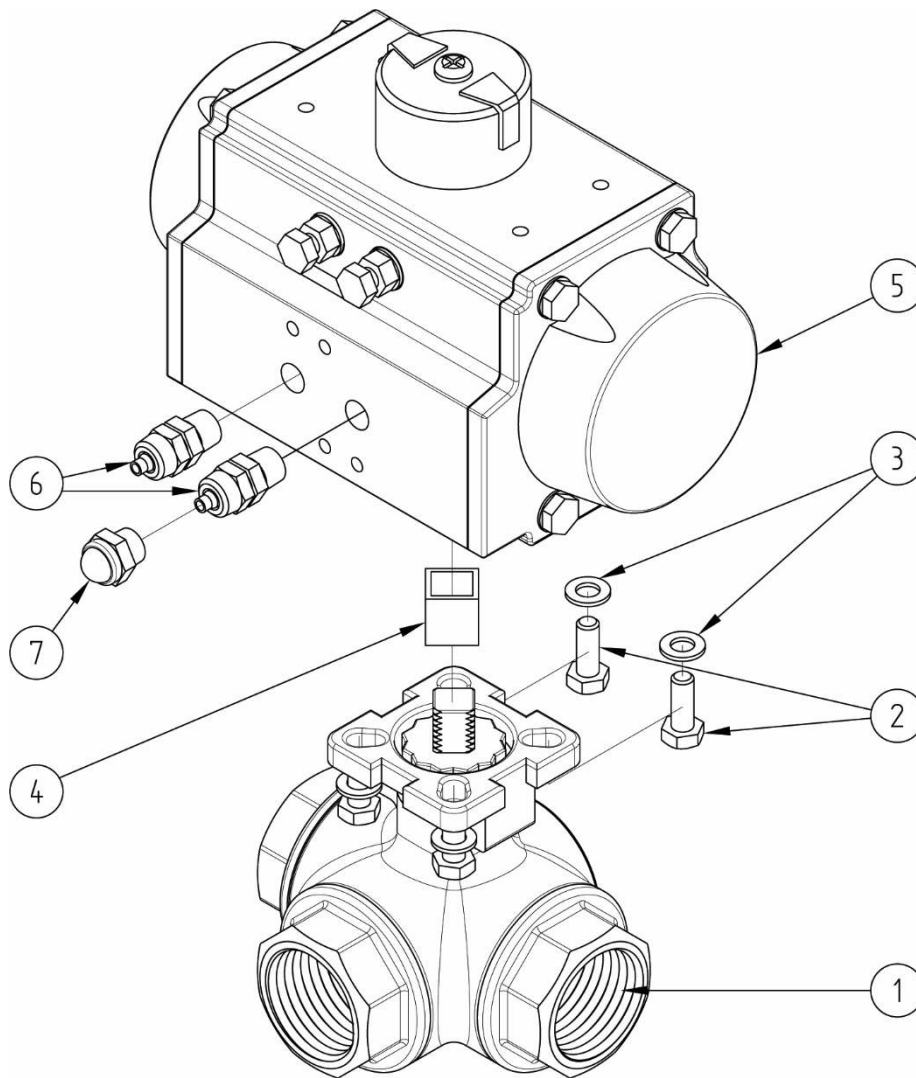
Operating pressure: 6 to 8 bar

Operating temperature: -20°C to +80°C

Material: aluminium



DN (mm)	NB (inches)	L1 (mm)	L2 (mm)	L3 (mm)	L4 (mm)	Weight (kg)	Spring return Part number	Double-acting Part number
8	1/4"	79	114	148	72	1.75	450210-8SE	450210-8DE
10	3/8"	79	114	148	72	1.75	450210-10SE	450210-10DE
15	1/2"	79	114	148	72	1.75	450210-15SE	450210-15DE
20	3/4"	90	134	164	84	2.80	450210-20SE	
20	3/4"	90	134	148	72	2.80		450210-20DE
25	1"	108	145	164	84	3.30	450210-25SE	450210-25DE
32	1"1/4	124	148	164	84	4.20	450210-32SE	450210-32DE
40	1"1/2	135	177	208	96	6.85	450210-40SE	450210-40DE
50	2"	164	186	208	96	9.75	450210-50SE	450210-50DE



N°	Part Name	Material	Quantity
1	3-WAY VALVE (58213)	CF8M	1
2	FIXING SCREW	STAINLESS STEEL	4
3	WASHER	STAINLESS STEEL	4
4	COUPLER	STAINLESS STEEL	0 or 1
5	PNEUMATIC ACTUATOR (50800)	ALUMINIUM	1
6	CAPPED PNEUMATIC CONNECTOR	NICKEL-PLATED BRASS	1 (SE) or 2 (DE)
7	EXHAUST SILENCER	NICKEL-PLATED BRASS	1 (SE)

You can refer to the following product data sheets for more technical information:

- 58213-LMODI: 3-way valve - L-shaped bore
- 50800-LMODI: Spring return or double-acting type pneumatic actuator

Béné Inox – 11 chemin de la Pierre Blanche – 69800 SAINT-PRIEST – S.A.S with 240 000 € share capital – SIREN N° 311 810 287
Tel. N°: +33 (0)4 78 90 48 22 – Fax N°: +33 (0)4 78 90 69 59 – www.bene-inox.com – bene@bene-inox.com

Technical information, illustrations and photographs are provided for information only, they are not contractual. Some may vary according to the tolerances accepted in the profession and the applicable standards. All instructions for use, disassembly and maintenance are recommendations only. These could also vary depending on product usage conditions, its installation environment and purchaser requirements – of which the purchaser alone is responsible for their definition.