

Taper seat valves

Model 50871 Pneumatic taper seat valve, **BSP female** threading - **NC** version, under seat arrival



Specifications

Dimensions: DN10 to DN65 (3/8" to 2"1/2)

Connection: BSP female thread in accordance with ISO 228-1

Max. allowed pressure: 16 bar

Actuator pressure: 4 to 10 bar

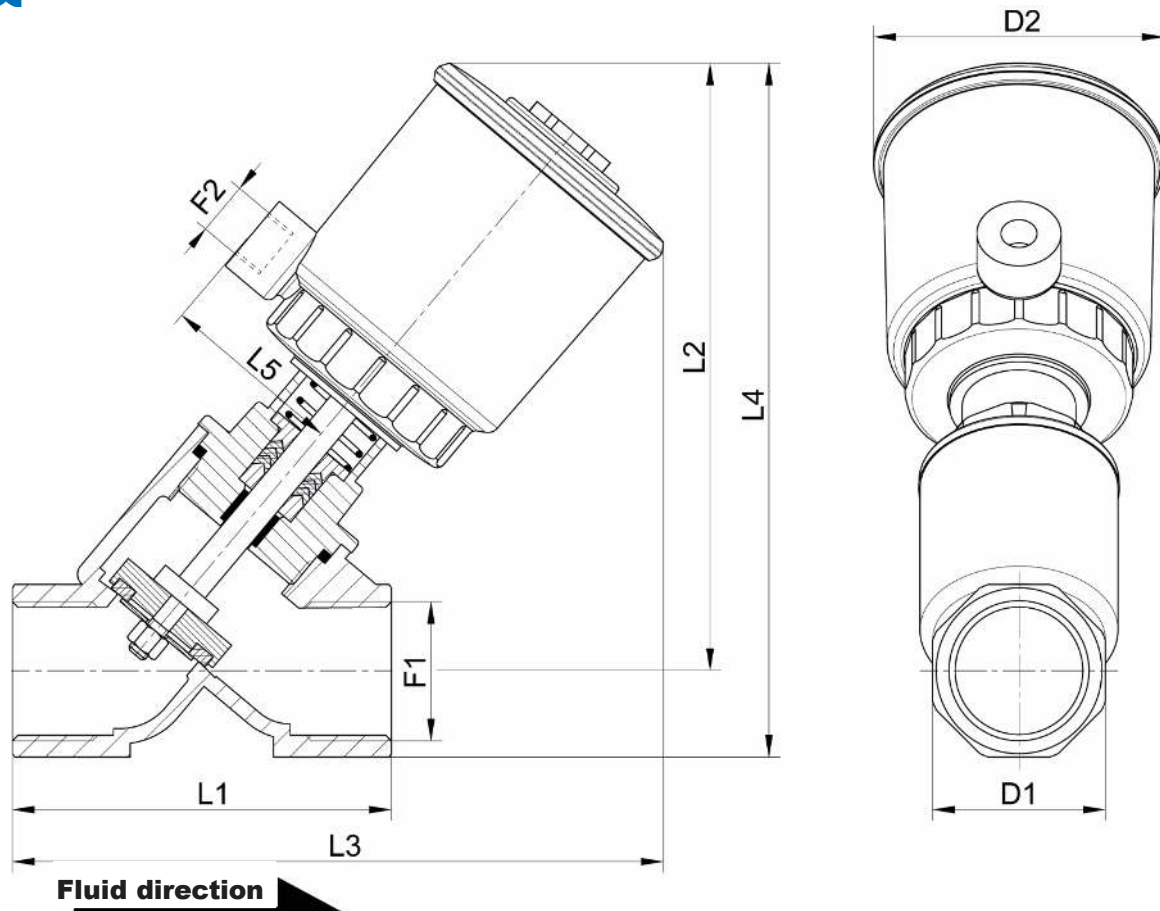
Temperature: from -10°C to +180°C

Ambient temperature: from -10°C to +60°C

Material: I.4409 or CF3M stainless steel (for the stainless steel parts that can come into contact with the transported fluid)

PTFE/FPM sealing parts

On request: NO valve, control box, clamp connections (ISO 2852), DIN threaded connections (DIN 11850) etc.



DN (mm)	NB (inches)	Control unit (mm)	D1 (mm)	D2 (mm)	F1 (inches)	F2 (inches)	L1 (mm)	L2 (mm)	L3 (mm)	L4 (mm)	L5 (mm)	ΔP max. (bar)	Weight without control head (kg)	Part number
10	3/8"	32	24	44	3/8"	1/8"	55	82	93	93	27	16	0.35	450871-1032
15	1/2"	32	28	44	1/2"	1/8"	65	84	99	97	27	12	0.40	450871-1532
15	1/2"	50	27	69	1/2"	1/8"	65	141	146	155	43	16	0.90	450871-1550
20	3/4"	32	30	44	3/4"	1/8"	75	88	107	105	27	6	0.45	450871-2032
20	3/4"	50	32	69	3/4"	1/8"	75	143	151	159	43	10	1.00	450871-2050
20	3/4"	63	32	85	3/4"	1/8"	75	170	175	185	51	16	1.30	450871-2063
25	1"	50	41	69	1"	1/8"	90	144	155	165	43	6	1.40	450871-2550
25	1"	63	41	85	1"	1/8"	90	172	179	192	51	10	1.70	450871-2563
25	1"	90	41	118	1"	1/4"	90	189	197	209	67	16	2.30	450871-2590
32	1"1/4	63	50	85	1"1/4	1/8"	110	204	217	229	51	6	2.10	450871-3263
32	1"1/4	90	50	118	1"1/4	1/4"	110	221	236	246	67	12	2.70	450871-3290
40	1"1/2	63	60	85	1"1/2	1/8"	120	215	225	245	51	4	2.90	450871-4063
40	1"1/2	90	60	118	1"1/2	1/4"	120	232	243	262	67	8	3.50	450871-4090
40	1"1/2	125	60	156	1"1/2	1/4"	120	284	291	314	86	16	6.00	450871-40125
50	2"	63	70	85	2"	1/8"	150	224	249	259	51	2.5	3.70	450871-5063
50	2"	90	70	118	2"	1/4"	150	241	267	276	67	6	4.30	450871-5090
50	2"	125	70	156	2"	1/4"	150	293	315	328	86	10	6.80	450871-50125
65	2"1/2	90	86	118	2"1/2	1/4"	190	255	298	300	67	2	6.30	450871-6590
65	2"1/2	125	86	156	2"1/2	1/4"	190	308	347	352	86	6	8.90	450871-65125

Béné Inox – 11 chemin de la Pierre Blanche – 69800 SAINT-PRIEST – S.A.S with 240 000 € share capital – SIREN N° 311 810 287
 Tel. N°: +33 (0)4 78 90 48 22 – Fax N°: +33 (0)4 78 90 69 59 – www.bene-inox.com – bene@bene-inox.com

Technical information, illustrations and photographs are provided for information only, they are not contractual. Some may vary according to the tolerances accepted in the profession and the applicable standards. All instructions for use, disassembly and maintenance are recommendations only. These could also vary depending on product usage conditions, its installation environment and purchaser requirements – of which the purchaser alone is responsible for their definition.

Use

NC - Normally Closed: the valve is closed when the NC solenoid valve is not connected to an electric power supply.

The valve is open when the NC solenoid valve is connected to an electric power supply.

On request:

NO - Normally Open: the valve is open when the NO solenoid valve is not connected to an electric power supply.

The valve is closed when the NO solenoid valve pilot is connected to an electric power supply.



You must not use water to drive the valve if the temperature of the fluid in the valve's body is over 100°C.

Assembly and maintenance instructions

Installation

You can install the valve in any position. However, check that there is enough space to move the valve's actuator where you are planning to install the valve.

Check that the installation is clean and free from foreign bodies that could damage the valve.

Check that all piping is perfectly aligned and that the piping support structure is dimensioned so that the valve is not subject to any external stresses. The piping support structure must only support the pipes, not the valve.

How to install a valve with female threaded ends:

You must not use the valve's body or its actuator when you are tightening the assembly (this could damage the valve). You must use a flat gasket (ISO 228-1 standard) to make sure the threaded connections are correctly sealed.

Connection

Remove the plastic protective cover from the actuator's connection port and follow the connection procedure.

- for the 1/8 port (heads Ø32, Ø50, Ø63 mm); make sure that the tightening torque is between 4 and 5 Nm.
- for the 1/4 port (heads Ø90 and Ø125); make sure that the tightening torque is between 6 and 7 Nm.

Check the valve is operating correctly.

Pressure test the installation according to the relevant standards (e.g. EN 12266-1), but do not exceed the valve's specifications.

Béné Inox – 11 chemin de la Pierre Blanche – 69800 SAINT-PRIEST – S.A.S with 240 000 € share capital – SIREN N° 311 810 287
Tel. N°: +33 (0)4 78 90 48 22 – Fax N°: +33 (0)4 78 90 69 59 – www.bene-inox.com – bene@bene-inox.com

Technical information, illustrations and photographs are provided for information only, they are not contractual. Some may vary according to the tolerances accepted in the profession and the applicable standards. All instructions for use, disassembly and maintenance are recommendations only. These could also vary depending on product usage conditions, its installation environment and purchaser requirements – of which the purchaser alone is responsible for their definition.

Maintenance

Cleaning:

Valve maintenance will depend on the conditions the valve is used in.

You should clean the valve periodically. The frequency of when you will need to clean the valve will depend on the type of fluid that is transported through it, the valve's operating conditions and the ambient environment. You must examine all of the valve's components to check for any excess wear and tear.

You must clean the valve if its movements have slowed down, even under the correct driving pressure, or if you hear any strange noises or you find a leak.

Otherwise this could lead to an operating problem and the valve could stop opening and closing correctly.

Operating noise:

You can only measure the emitted noise level accurately when you have assembled the component on the installation.

The operating noise level will depend on the valve's use, the fluid and the type of equipment used.

Preventative maintenance:

Open and close the valve at least once a month to check it is opening and closing correctly.

You may need to change the valve due to unusual wear and tear, or if a fluid has damaged the valve and caused a leak or malfunction.

Specifications

Piping (ISO 6708)		Flow coefficient Kv		Driving pressure (bar)		Allowed differential pressure (bar)			Head	Part number
DN (mm)	NB (inches)	(m³/h)	(l/min)	Min.	Max.	Max.			Ø (mm)	
						air, inert gaz, aggressive fluids	Water, oil, liquids, aggressive liquides	Water vapour (<184°C)		
10	3/8"	2.8	47	4	10	16	16	10	32	450871-1032
15	1/2"	4.1	68	4	10	12	12	10	32	450871-1532
15	1/2"	4.9	82	4	10	16	16	10	50	450871-1550
20	3/4"	6.5	108	4	10	6	6	6	32	450871-2032
20	3/4"	9.4	157	4	10	10	10	10	50	450871-2050
20	3/4"	9.4	157	4	10	16	16	10	63	450871-2063
25	1"	12.8	213	4	10	6	6	6	50	450871-2550
25	1"	16.5	275	4	10	10	10	10	63	450871-2563
25	1"	16.5	275	4	10	16	16	10	90	450871-2590
32	1"1/4	27	450	4	10	6	6	6	63	450871-3263
32	1"1/4	27	450	4	10	12	12	10	90	450871-3290
40	1"1/2	45	750	4	10	4	4	4	63	450871-4063
40	1"1/2	45	750	4	10	8	8	8	90	450871-4090
40	1"1/2	48	800	4	10	16	16	10	125	450871-40125
50	2"	59	983	4	10	2.5	2.5	2.5	63	450871-5063
50	2"	59	983	4	10	6	6	6	90	450871-5090
50	2"	66	1100	4	10	10	10	10	125	450871-50125
65	2"1/2	94	1567	4	10	2	2	2	90	450871-6590
65	2"1/2	111	1850	4	10	6	6	6	125	450871-65125