

# Ball valves



## Model **58103** Mini ball valve female/female **BSP - 316** stainless steel

1000 lbs / PN63 - Reduced bore



### Specifications

**Dimensions:** DN8 to DN25 (1/4" to 1")

**Connection:** BSP female threaded

**Pressure:** PN63 (1000 lbs)

**Temperature:** from -20°C to +150°C

**Material:** 316 or CF8M stainless steel  
(for the parts in contact with the fluid)

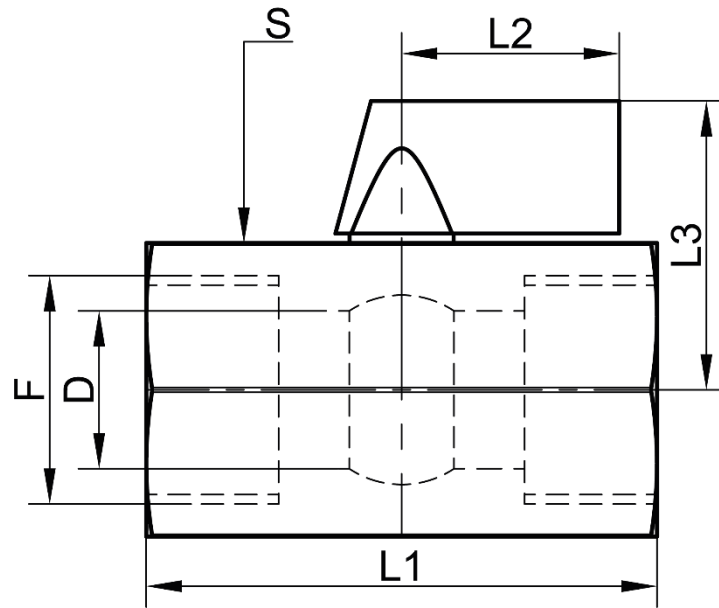
PTFE gaskets

Polished body

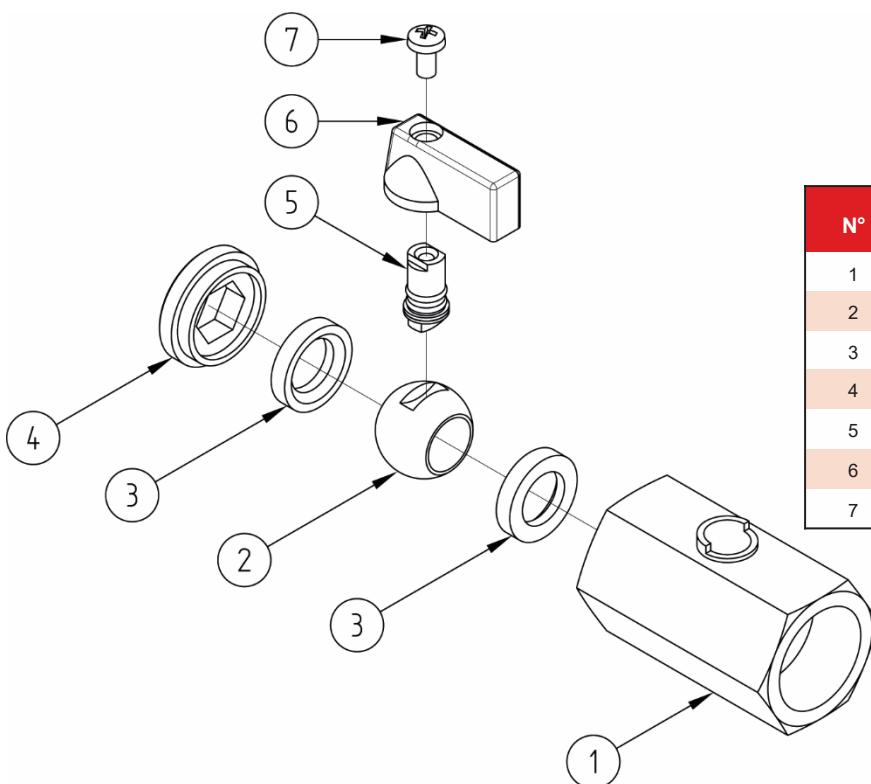


**Béné Inox** – 11 chemin de la Pierre Blanche – 69800 SAINT PRIEST – S.A.S with 240 000 € share capital – SIREN N° 311 810 287  
Tel. N°: +33 (0)4 78 90 48 22 – Fax N°: +33 (0)4 78 90 69 59 – [www.bene-inox.com](http://www.bene-inox.com) – [bene@bene-inox.com](mailto:bene@bene-inox.com)

Technical information, illustrations and photographs are provided for information only, they are not contractual. Some may vary according to the tolerances accepted in the profession and the applicable standards. All instructions for use, disassembly and maintenance are recommendations only. These could also vary depending on product usage conditions, its installation environment and purchaser requirements – of which the purchaser alone is responsible for their definition.



| DN<br>(mm) | NB<br>(inches) | D<br>(mm) | F<br>(inches) | L1<br>(mm) | L2<br>(mm) | L3<br>(mm) | S<br>(mm) | Weight<br>(kg) | Part number |
|------------|----------------|-----------|---------------|------------|------------|------------|-----------|----------------|-------------|
| 8          | 1/4"           | 8         | 1/4"          | 40         | 23         | 27         | 21        | 0.06           | 458103-8    |
| 10         | 3/8"           | 8         | 3/8"          | 41         | 23         | 27         | 21        | 0.08           | 458103-10   |
| 15         | 1/2"           | 9         | 1/2"          | 46         | 23         | 29         | 25        | 0.13           | 458103-15   |
| 20         | 3/4"           | 12.5      | 3/4"          | 55         | 23         | 32         | 31        | 0.19           | 458103-20   |
| 25         | 1"             | 15        | 1"            | 65         | 23         | 34         | 38        | 0.30           | 458103-25   |



| N° | Part Name     | Material |
|----|---------------|----------|
| 1  | BODY          | CF8M     |
| 2  | BALL          | CF8M     |
| 3  | SEAT RING     | PTFE     |
| 4  | CLAMPING RING | CF8M     |
| 5  | SHAFT         | SS316    |
| 6  | HANDLE        | ALUMINUM |
| 7  | SCREW         | SS304    |

## Use

This valve is suitable for non-abrasive and non-coagulable fluids, subject to the chemical compatibility of the parts in contact.

This valve is a shut-off valve: it must be either fully open or fully closed.

An opening default or leaving the ball valve partially open to decrease flow could lead to cavitation which is likely to damage the valve.

To operate the valve, turn the handle 1/4 turn (90°) clockwise to close it or 1/4 turn (90°) anti-clockwise to open it.

If the handle is in line with the piping, the valve is open.



Warning: For usage temperatures above 60°C there is a risk of burns.

## Assembly and maintenance instructions

### Installation

The valve can be used in any position. Ensure that the intended location is sufficiently clear from obstructions for handle operation.

Check that the installation is clean and free from foreign bodies that could damage the valve.

Make sure that the piping is perfectly aligned and its support structures are sufficiently dimensioned so that the valve is not subject to any external stresses. The support structure must support the pipes, not the valve.

#### Installation of a valve with female ends:

Do not use the handle when you are tightening the assembly (this could damage the valve).

To ensure the sealing of the threaded connections, use a product suitable for the working conditions (e.g. PTFE tape), but do not over tighten the connections as this could deform the valve body.

Clean the installation leaving the valve open so that there are no impurities between the ball and the body. Check the valve is operating correctly.

Carry out installation pressure testing without exceeding the valve's specifications, and according to the applicable standards (e.g. EN 12266-1).

## Maintenance

Under normal operating conditions, the valve does not require any specific maintenance.

In the case of a valve that is never operated during normal operation, it is advisable to regularly open and close the valve to ensure it continues to operate correctly.

## Standards and compliance

- Connection: BSP female thread in accordance with EN ISO 7/1
- Leakage testing in accordance with EN 12266 / API 598
- Complies with European Pressure Equipment Directive (PED) 2014/68/EU (formerly 97/23/EC)