

Ball valves



ISO 7/1

2-part ball valve female/female - 316 stainless steel

1000 lbs / PN63 - Full bore - Lockable handle

Model 58143 BSP female threading**Model 58145** NPT threading

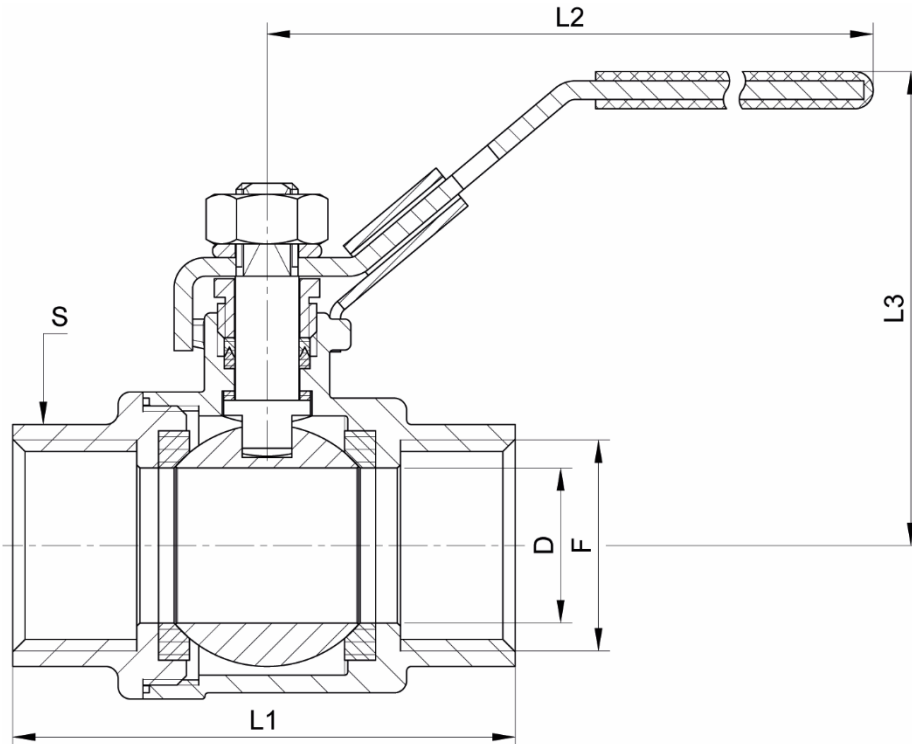
Specifications

Dimensions: DN8 to DN80 (1/4" to 3")**Connection:** BSP or NPT female threaded**Pressure:** PN63 (1000 lbs)**Temperature:** from - 20°C to +150°C**Material:** 316 or CF8M stainless steel
(for the parts in contact with the fluid)

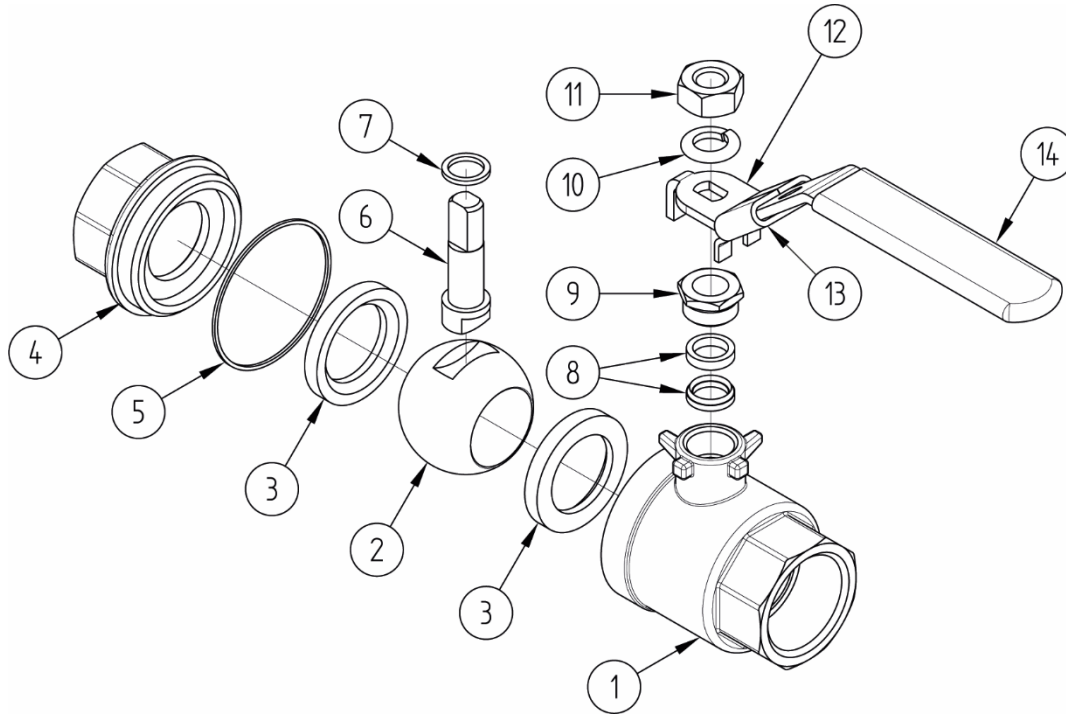
PTFE gaskets

**Béné Inox** – 11 chemin de la Pierre Blanche – 69800 SAINT PRIEST – S.A.S with 240 000 € share capital – SIREN N° 311 810 287Tel. N°: +33 (0)4 78 90 48 22 – Fax N°: +33 (0)4 78 90 69 59 – www.bene-inox.com – bene@bene-inox.com

Technical information, illustrations and photographs are provided for information only, they are not contractual. Some may vary according to the tolerances accepted in the profession and the applicable standards. All instructions for use, disassembly and maintenance are recommendations only. These could also vary depending on product usage conditions, its installation environment and purchaser requirements – of which the purchaser alone is responsible for their definition.



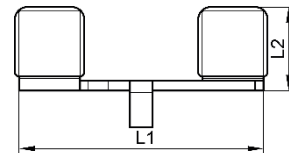
DN (mm)	NB (inches)	D (mm)	F (inches)	L1 (mm)	L2 (mm)	L3 (mm)	S (mm)	Weight (kg)	Part number BSP	Part number NPT
8	1/4"	9	1/4"	54	100	50	19	0.25	458143-8	458145-8
10	3/8"	13	3/8"	54	100	50	22	0.25	458143-10	458145-10
15	1/2"	15	1/2"	57	100	52	26	0.32	458143-15	458145-15
20	3/4"	20	3/4"	68	100	56	33	0.46	458143-20	458145-20
25	1"	25	1"	80	128	69	39	0.77	458143-25	458145-25
32	1"1/4	32	1"1/4	91	128	72	50	1.12	458143-32	458145-32
40	1"1/2	38	1"1/2	103	145	81	55	1.74	458143-40	458145-40
50	2"	50	2"	124	145	90	67	2.65	458143-50	458145-50
65	2"1/2	65	2"1/2	160	245	117	85	5.35	458143-65	-
80	3"	80	3"	185	245	126	98	7.43	458143-80	-



N°	Part Name	Material
1	BODY	EN 1.4408
2	BALL	ASTM CF8M
3	SEAT RING	PTFE
4	FLANGE (FEMALE THREADED END)	EN 1.4408
5	BODY GASKET	PTFE
6	SHAFT	AISI 316
7	O-RING	PTFE
8	SHAFT PACKING	PTFE
9	SHAFT NUT (GLAND)	AISI 304
10	LOCK WASHER	AISI 304
11	HANDLE NUT	AISI 304
12	HANDLE	AISI 304
13	LOCKING DEVICE	AISI 304
14	HANDLE COVERING	PLASTIC

Options

- To order a valve with a blue handle: add "B" to the part number. For example:
458143-8B
- Wing handle, to replace the existing handle:



For DN valve	L1 (mm)	L2 (mm)	Flat side (mm)	Part number
DN8 / DN10 / DN15 / DN20	60	21	5	458137-60
DN25 / DN32	80	21	6.5	458137-82

Béné Inox – 11 chemin de la Pierre Blanche – 69800 SAINT PRIEST – S.A.S with 240 000 € share capital – SIREN N° 311 810 287
Tel. N°: +33 (0)4 78 90 48 22 – Fax N°: +33 (0)4 78 90 69 59 – www.bene-inox.com – bene@bene-inox.com

Technical information, illustrations and photographs are provided for information only, they are not contractual. Some may vary according to the tolerances accepted in the profession and the applicable standards. All instructions for use, disassembly and maintenance are recommendations only. These could also vary depending on product usage conditions, its installation environment and purchaser requirements – of which the purchaser alone is responsible for their definition.

Use

This valve is a shut-off valve: it must be either fully open or fully closed.

An opening default, or leaving the ball valve partially open to decrease flow, could lead to cavitation which is likely to damage the valve.

To operate the valve, lift the locking device **I3** so that the handle **I2** can be turned 1/4 turn, until it cannot be turned any further.

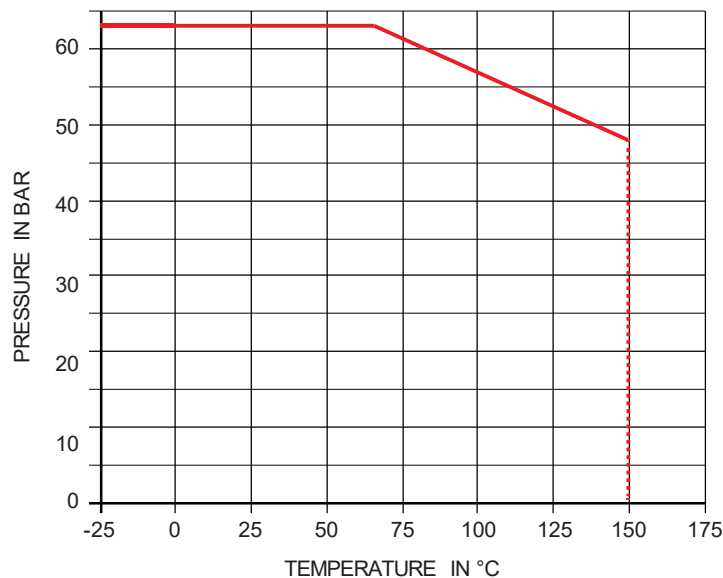
Turn the handle 1/4 turn (90°) clockwise to close it or 1/4 turn (90°) anti-clockwise to open it.

If the handle is in line with the piping, the valve is open.

The handle is lockable, with a padlock, in the open or closed position.

Pressure and temperature

For pressure/temperature ratings, see the graph below.



Warning: For usage temperatures above 60°C there is a risk of burns.

Fluids

This valve is suitable for non-abrasive and non-coagulable fluids, subject to the chemical compatibility of the parts in contact.



Warning: Be careful of hazardous materials - follow supplier usage instructions.

Béné Inox – 11 chemin de la Pierre Blanche – 69800 SAINT PRIEST – S.A.S with 240 000 € share capital – SIREN N° 311 810 287
 Tel. N°: +33 (0)4 78 90 48 22 – Fax N°: +33 (0)4 78 90 69 59 – www.bene-inox.com – bene@bene-inox.com

Technical information, illustrations and photographs are provided for information only, they are not contractual. Some may vary according to the tolerances accepted in the profession and the applicable standards. All instructions for use, disassembly and maintenance are recommendations only. These could also vary depending on product usage conditions, its installation environment and purchaser requirements – of which the purchaser alone is responsible for their definition.

Assembly and maintenance instructions

Installation

The valve can be used in any position. Ensure that the intended location is sufficiently clear from obstructions for handle operation.

Check that the installation is clean and free from foreign bodies that could damage the valve.

Make sure that the piping is perfectly aligned and its support structures are sufficiently dimensioned so that the valve is not subject to any external stresses. The support structure must support the pipes, not the valve.

Installation of a valve with female threaded ends:

Use a wrench that is suitable for the hexagon-shaped valve end. Do not use the handle when you are tightening the assembly (this could damage the valve).

To ensure the sealing of the threaded connections, use a product suitable for the working conditions (e.g. anaerobic adhesive model **5291**, PTFE tape, etc.).

Clean the installation leaving the valve open so that there are no impurities between the ball and the body. Check the valve is operating correctly.

Carry out installation pressure testing without exceeding the valve's specifications, and according to the applicable standards (e.g. EN 12266-1).

Maintenance

Under normal operating conditions, the valve does not require any specific maintenance.

In the case of a valve that is never operated during normal operation, it is advisable to regularly open and close the valve to ensure it continues to operate correctly.

During operation (or during the valve installation testing phase), if any leaks appear around the shaft **6**, tighten the shaft nut **9**. Usually leaks can be stopped by tightening the nut by 30 to 60°. But do not over tighten the nut, as this could reduce the system's service life.

Standards and compliance

- Connection: BSP female threaded in accordance with EN ISO 7/1 or NPT taper threaded in accordance with ANSI B1.20.1
- Leakage testing in accordance with EN 12266 / API 598
- Complies with European Pressure Equipment Directive (PED) 2014/68/EU (formerly 97/23/EC)

Béné Inox – 11 chemin de la Pierre Blanche – 69800 SAINT PRIEST – S.A.S with 240 000 € share capital – SIREN N° 311 810 287
Tel. N°: +33 (0)4 78 90 48 22 – Fax N°: +33 (0)4 78 90 69 59 – www.bene-inox.com – bene@bene-inox.com

Technical information, illustrations and photographs are provided for information only, they are not contractual. Some may vary according to the tolerances accepted in the profession and the applicable standards. All instructions for use, disassembly and maintenance are recommendations only. These could also vary depending on product usage conditions, its installation environment and purchaser requirements – of which the purchaser alone is responsible for their definition.