

Valves and accessories

Model 58953 Thermostatic steam trap - BSP threaded 304 stainless steel



Specifications

Dimensions: DN10 to DN25 (3/8" to 1")

Connection: BSP female threading in accordance with ISO 228-1

Pressure: 32 bar

Max. Temperature: +240°C max.

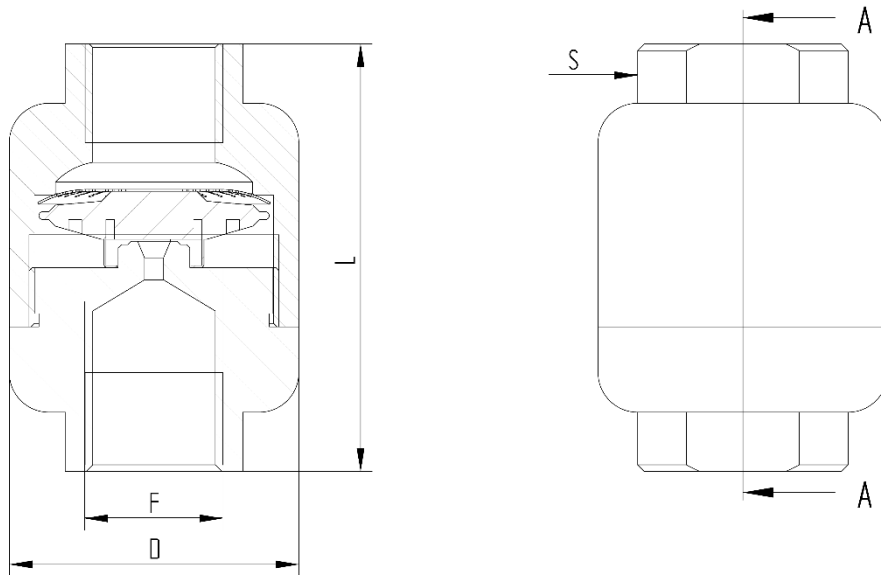
Material: 1.4301 stainless steel

Vertical mounting only



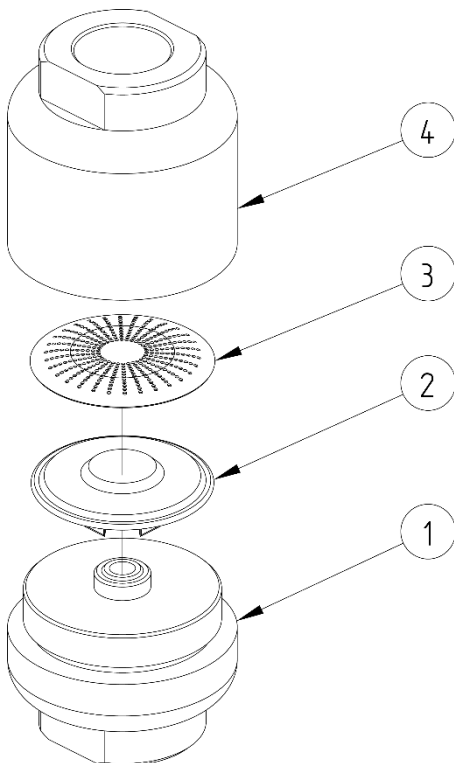
Béné Inox – 11 chemin de la Pierre Blanche – 69800 SAINT PRIEST – S.A.S with 240 000 € share capital – SIREN N° 311 810 287
Tel. N°: +33 (0)4 78 90 48 22 – Fax N°: +33 (0)4 78 90 69 59 – www.bene-inox.com – bene@bene-inox.com

Technical information, illustrations and photographs are provided for information only, they are not contractual. Some may vary according to the tolerances accepted in the profession and the applicable standards. All instructions for use, disassembly and maintenance are recommendations only. These could also vary depending on product usage conditions, its installation environment and purchaser requirements – of which the purchaser alone is responsible for their definition.



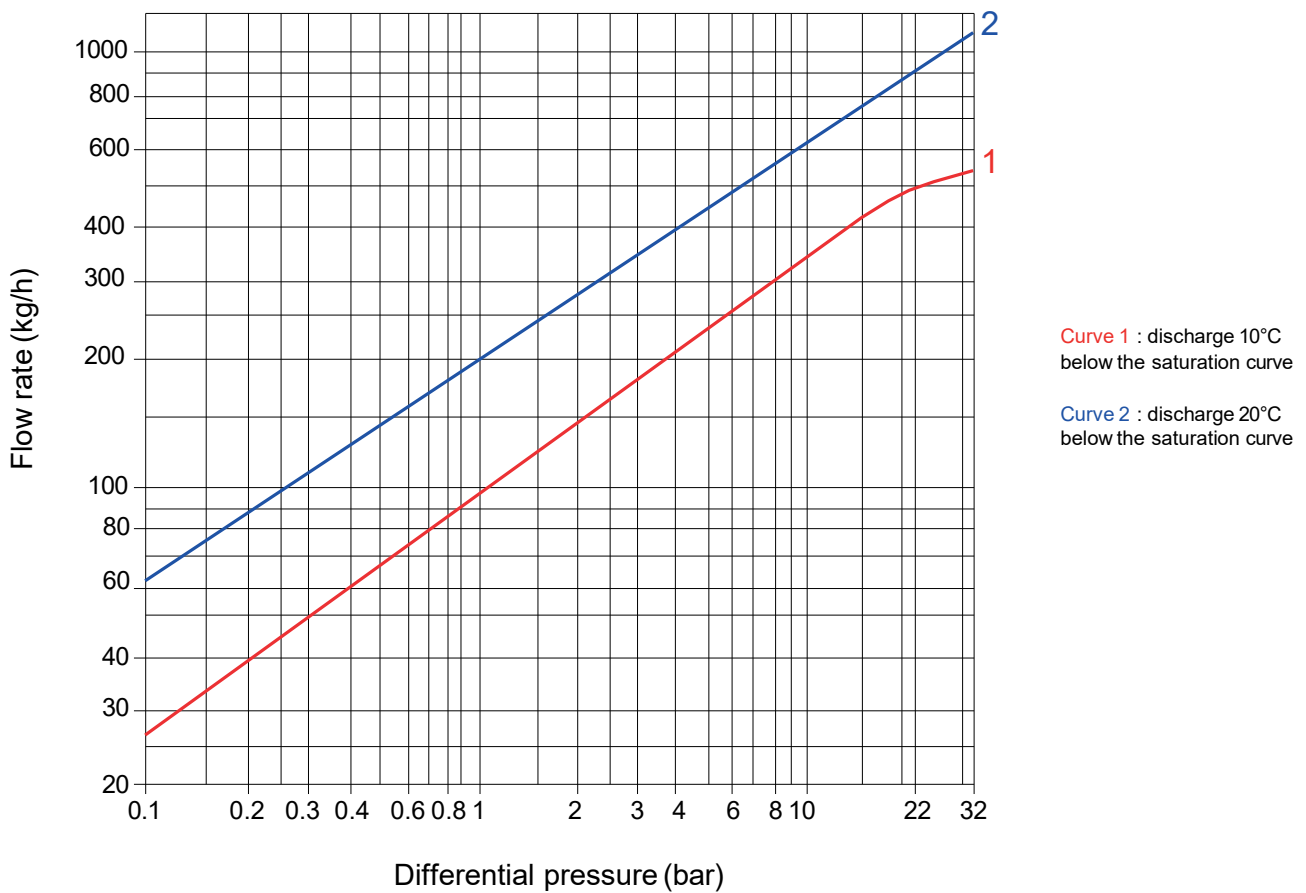
A-A Cross Section

DN (mm)	NB (inches)	D (mm)	F (inches)	L (mm)	S (mm)	Weight (kg)	Part number
10	3/8"	44	3/8"	65	27	0.45	258953-10
15	1/2"	44	1/2"	65	27	0.45	258953-15
20	3/4"	44	3/4"	65	36	0.45	258953-20
25	1"	44	1"	65	40	0.45	258953-25



N°	Part Name	Material
1	BODY	1.4301
2	THERMOSTATIC CAPSULE	HASTELLOY + STAINLESS STEEL
3	FINE SIEVE	STAINLESS STEEL
4	CAP	1.4301

Flow rate



Assembly and maintenance instructions

Installation

You must install the steam trap vertically.

Check that there is enough space to carry out maintenance operations where you are planning to install the steam trap.

Check that the installation is clean and free from foreign bodies that could damage the steam trap.

Check that all piping is perfectly aligned and that the piping support structure is dimensioned so that the steam trap is not subject to any external stresses. The piping support structure must only support the pipes, not the steam trap.

How to install the steam trap:

You must not use the steam trap's body when you are tightening it (this could damage the steam trap). Instead, use the flat sections provided for this purpose. Use flat gaskets to make sure the steam trap is sealed correctly.



You must take into account the direction of fluid circulation when you fit the steam trap (see the engraved arrow on the steam trap's body).

Clean the installation so that there are no foreign bodies in the piping.

Pressure test the installation according to the relevant standards, but do not exceed the steam trap's specifications.

Maintenance

The steam trap itself does not require any specific maintenance if it is used in normal operating conditions.

Standards and compliance

- Connection: BSP female threading in accordance with EN ISO 228-1
- Leak test according to the standard EN 12266
- This steam trap complies with the European Pressure Equipment Directive (PED) 2014/68/EU (formerly 97/23/EC)