

Valves and accessories

Model 58963 Thermodynamic steam trap BSP threaded - 304 stainless steel



Specifications

Dimensions: DN15 to DN25 (1/2" to 1")

Connection: BSP female threading in accordance with ISO 228-1

Operating pressure: 1.5 to 42 bar

Temperature: -0°C to +400°C

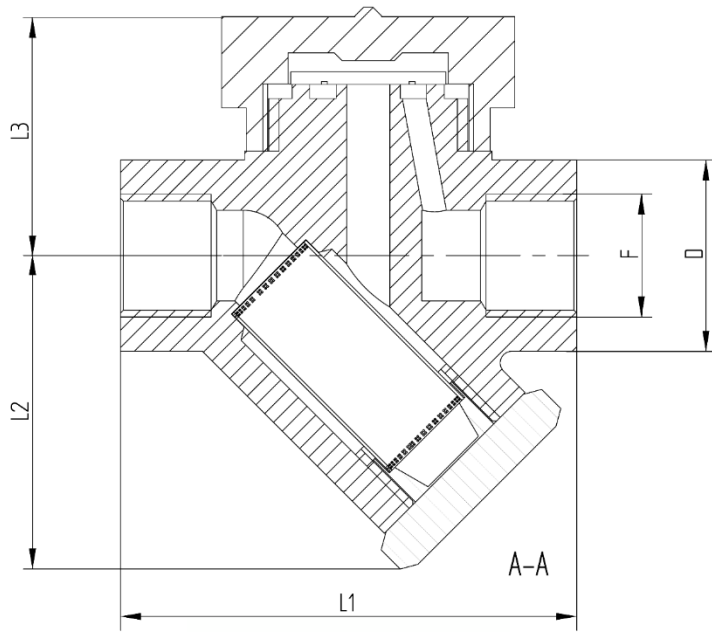
Material: 304 stainless steel

Built-in filtering element

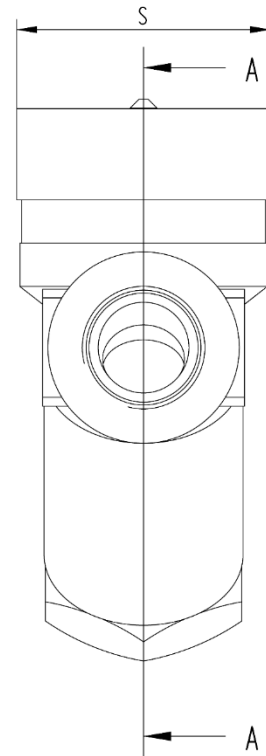


Béné Inox – 11 chemin de la Pierre Blanche – 69800 SAINT PRIEST – S.A.S with 240 000 € share capital – SIREN N° 311 810 287
Tel. N°: +33 (0)4 78 90 48 22 – Fax N°: +33 (0)4 78 90 69 59 – www.bene-inox.com – bene@bene-inox.com

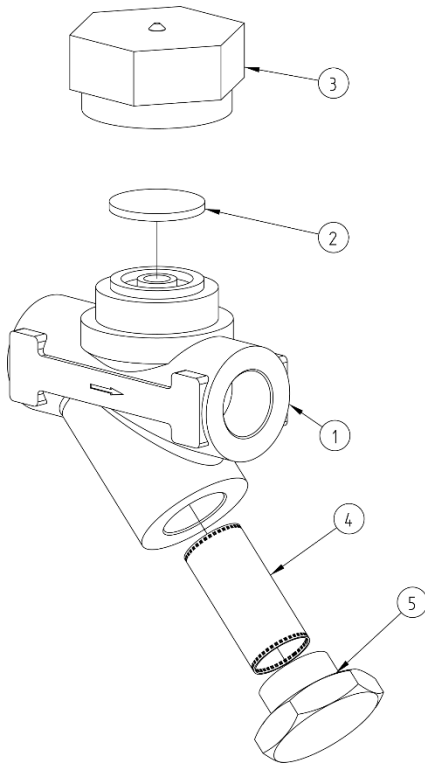
Technical information, illustrations and photographs are provided for information only, they are not contractual. Some may vary according to the tolerances accepted in the profession and the applicable standards. All instructions for use, disassembly and maintenance are recommendations only. These could also vary depending on product usage conditions, its installation environment and purchaser requirements – of which the purchaser alone is responsible for their definition.



A-A Cross Section



DN (mm)	NB (inches)	D (mm)	F (inches)	L1 (mm)	L2 (mm)	L3 (mm)	S (mm)	Weight (kg)	Part number
15	1/2"	33	1/2"	78	56	41	43	0.90	258963-15
20	3/4"	39	3/4"	90	56	45	47	1.20	258963-20
25	1"	45	1"	95	63	55	55	1.70	258963-25



N°	Part Name	Material
1	BODY	SS420
2	DISC	SS420
3	CAP	SS420
4	STRAINER	SS304
5	PLUG	SS420

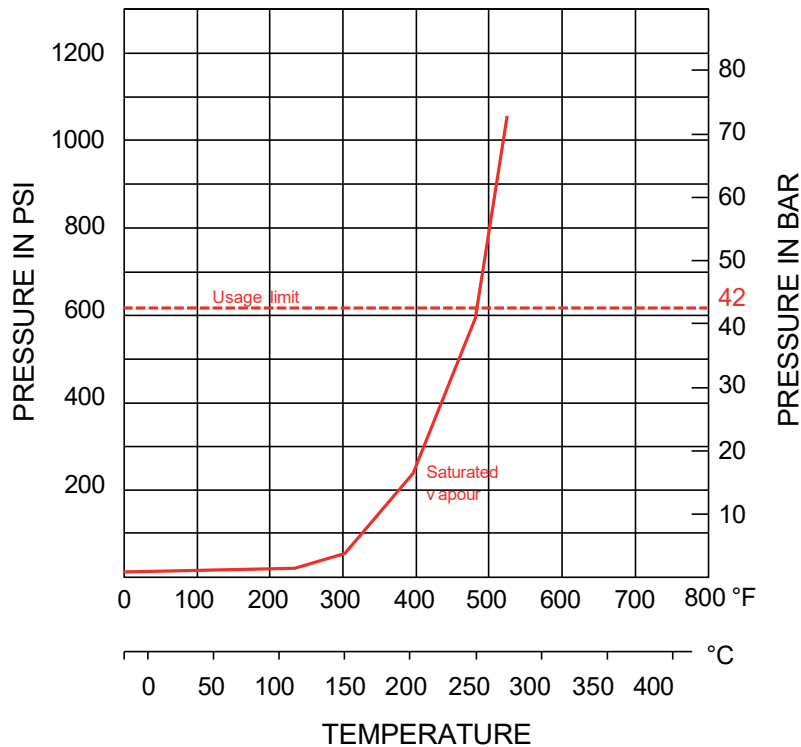
Product description:

The valve 58963 is a stainless steel thermodynamic steam trap. It is perfectly adapted for bleeding distribution piping and steam tracing installations as it is strong and compact with a built-in Y filter. This steam trap allows an outlet (secondary) pressure of up to 80% of the trap inlet (primary) pressure. It is not affected by water hammer, overheating or freezing. It is simple to maintain this type of steam trap.

Use

Pressure and temperature

For pressure/temperature ratings, see the graph below.

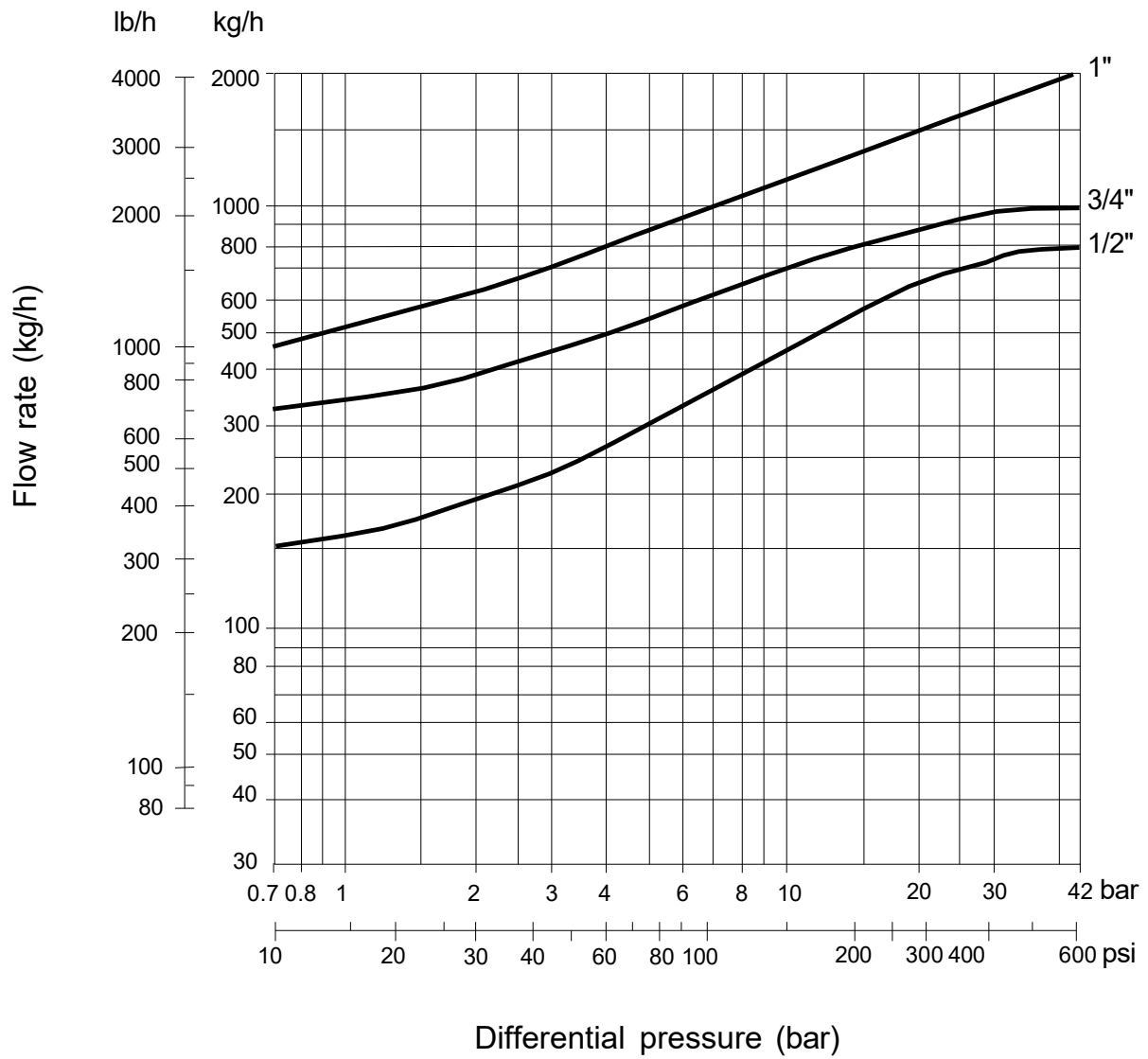


Warning: If the steam trap is used with fluids that have a temperature above 60°C then people could burn themselves if they touch the steam trap.

Fluids

This steam trap is only suitable for use in steam systems.

Flow rate



Assembly and maintenance instructions

Installation

You must install the steam trap on a horizontal pipe, so that its cap is also horizontal.

Check that there is enough space to carry out maintenance operations where you are planning to install the steam trap.

Check that the installation is clean and free from foreign bodies that could damage the steam trap.

Check that all piping is perfectly aligned and that the piping support structure is dimensioned so that the steam trap is not subject to any external stresses. The piping support structure must only support the pipes, not the steam trap.

How to install the steam trap:

You must not use the steam trap's lateral pipes for leverage when you are tightening it (as this could damage the steam trap).

Instead, use a wrench and the flat sections on the steam trap's body.

Use flat gaskets to make sure the steam trap is sealed correctly.



Warning: If the steam trap is used with fluids that have a temperature above 60°C then people could burn themselves if they touch the steam trap.

Clean the installation so that there are no foreign bodies in the piping.

Pressure test the installation according to the relevant standards, but do not exceed the steam trap's specifications.

Maintenance

The steam trap itself does not require any specific maintenance if it is used in normal operating conditions. But you must check the strainer on a regular basis to make sure that it is not blocked by foreign bodies.

If this is the case see the “How to assemble/disassemble the steam trap” section below.

Assembly / Disassembly

The maintenance and the removal/installation of the steam trap must be carried out by personnel who are qualified and trained for this type of intervention.



Warning: Before you work on the steam trap, check that the installation has been stopped and that the piping is empty and is not pressurised.

Warning: If the steam trap is used with fluids that have a temperature above 60°C then people could burn themselves if they touch the steam trap.

Warning: Beware of hazardous materials - follow the instructions provided by the suppliers.

Isolate the steam trap inlet from the rest of the steam system (make sure that no steam can enter the steam trap).

Unscrew the plug **5** and remove the strainer **4** from the filter.

Clean the strainer and inspect all the parts. Change any worn parts. You should change any sealing parts (gaskets) that have been disassembled.

Unscrew the cap **3** and check the condition of the disc **2**. Replace the disk if necessary (i.e. if it is scratched or bent).

Follow the disassembly steps in reverse order to reassemble the steam trap.

Standards and compliance

- Connection: BSP female threading in accordance with EN ISO 228-1
- Leak test according to the standard EN 12266
- This steam trap complies with the European Pressure Equipment Directive (PED) 2014/68/EU, Article 4 paragraph 3 (formerly 97/23/EC, Article 3 paragraph 3)