

# Butterfly valve accessories

**Model 61346** **Stainless steel open/closed position detection pull tab handle for butterfly valves Ø25 to Ø104**



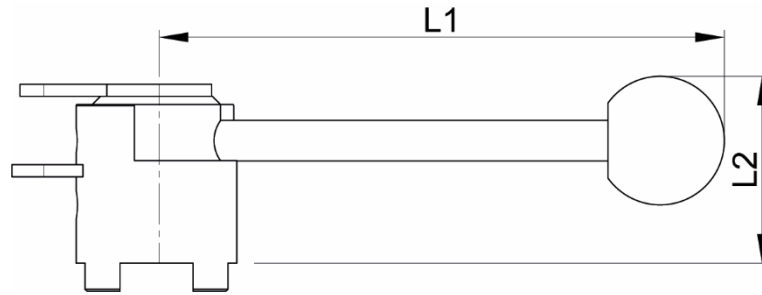
## Specifications

**Dimensions:** DN25 to DN104 (1" to 4")

**Ambient temperature:** +90°C max.

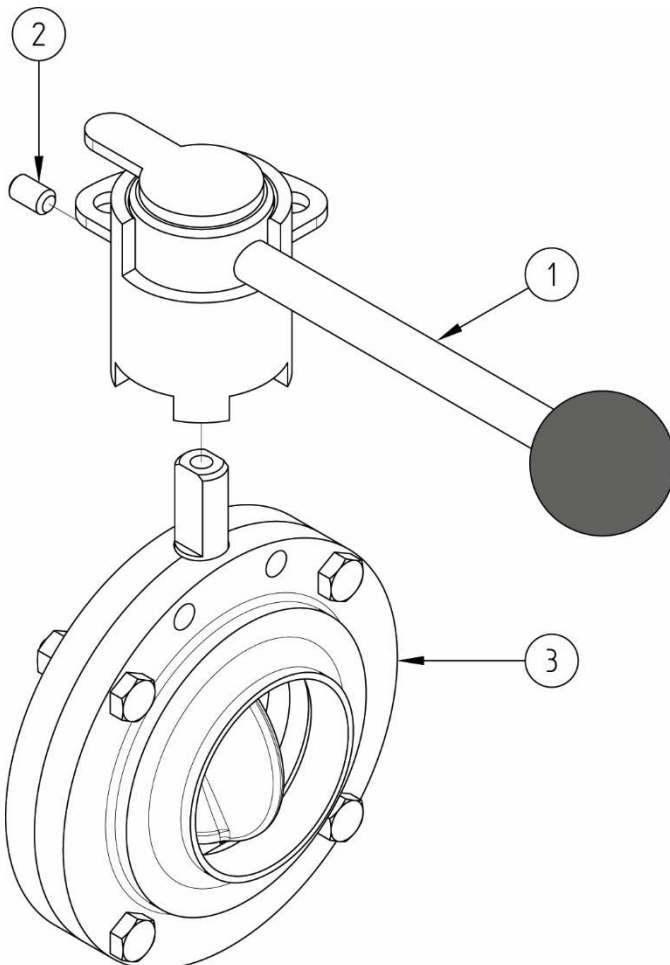
**Material:** Stainless steel

2-position handle



Valve DN (mm)	Valve NB (inches)	L1 (mm)	L2 (mm)	Valve shaft (mm)	Weight (kg)	Part number
25 to 76	1" to 3"	141	46	8 (flat side)	0.38	261346-2576
80 to 104	3"1/2 to 4"	170	57	9.5 x 9.5 (square)	0.80	261346-104

Open/closed detection, 4 positions within 90°, from DN25 to DN76  
2-position open/closed detection from DN80 to DN104



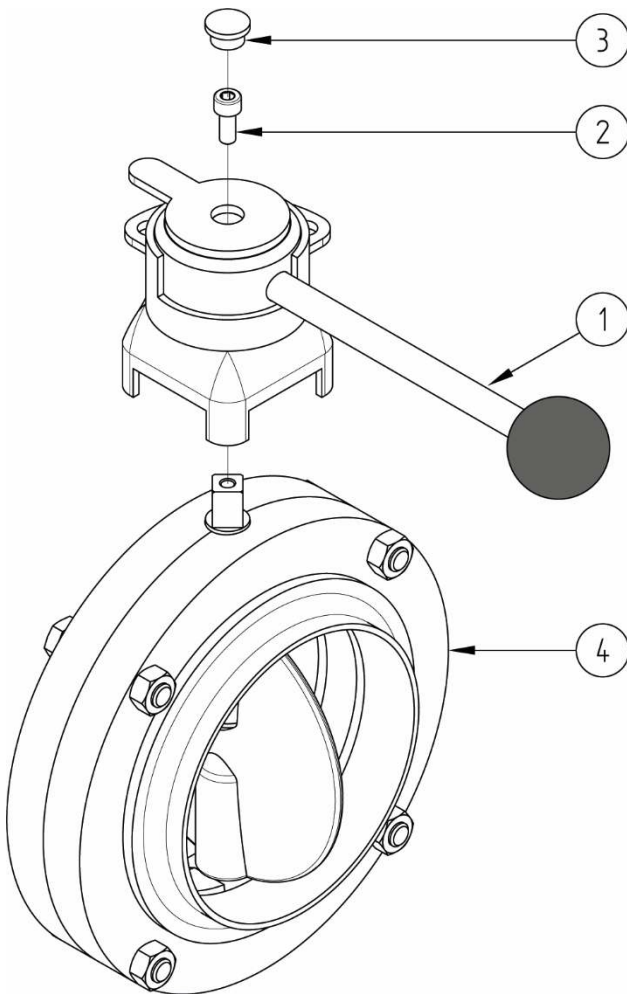
N°	Part Name	Material	Quantity
1	HANDLE	STAINLESS STEEL	1
2	CLAMPING SCREW	A2 STAINLESS STEEL	1
3	BUTTERFLY VALVE	STAINLESS STEEL	1

### Assembly (valve DN25 to DN76)

Place the handle **1** onto the butterfly valve's **3** shaft.  
Screw the clamping screw **2** into the handle **1** as far as it will go.

**Béné Inox** – 11 chemin de la Pierre Blanche – 69800 SAINT-PRIEST – S.A.S with 240 000 € share capital – SIREN N° 311 810 287 Tel. N°: +33 (0)4 78 90 48 22 – Fax N°: +33 (0)4 78 90 69 59 – [www.bene-inox.com](http://www.bene-inox.com) – [bene@bene-inox.com](mailto:bene@bene-inox.com)

Technical information, illustrations and photographs are provided for information only, they are not contractual. Some may vary according to the tolerances accepted in the profession and the applicable standards. All instructions for use, disassembly and maintenance are recommendations only. These could also vary depending on product usage conditions, its installation environment and purchaser requirements – of which the purchaser alone is responsible for their definition.

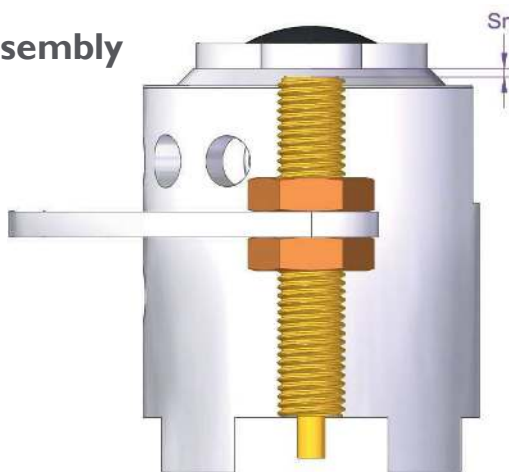


N°	Part Name	Material	Quantity
1	HANDLE	STAINLESS STEEL	1
2	CLAMPING SCREW	A2 STAINLESS STEEL	1
3	PLUG	PLASTIC	1
4	BUTTERFLY VALVE	STAINLESS STEEL	1

### Assembly (valve DN80 to DN104)

Place the handle **1** onto the butterfly valve's **4** shaft.  
 Pull the handle to insert the screw **2** as shown and then screw it into the butterfly valve's **4** shaft.  
 Clip the plug **3** on top of the screw in the handle **1**.

### Sensor assembly



On request we can also supply inductive sensors:

Part number: **DETIFMLED24CC**

Pepperl + Fuchs M8 10-30Vdc 3-wire PNP NO

Position of the sensors:  
 $0.5 \text{ mm} < S_n < 1.5 \text{ mm}$