

SMS Ball valves

Model **61370** **2-way ball valve with ISO mounting plate, male end/female end + nut 304 or 316L stainless steel**



Specifications

Dimensions: DN25 to DN104 (1" to 4")

Connections: SMS male and female thread in accordance with DIN 405

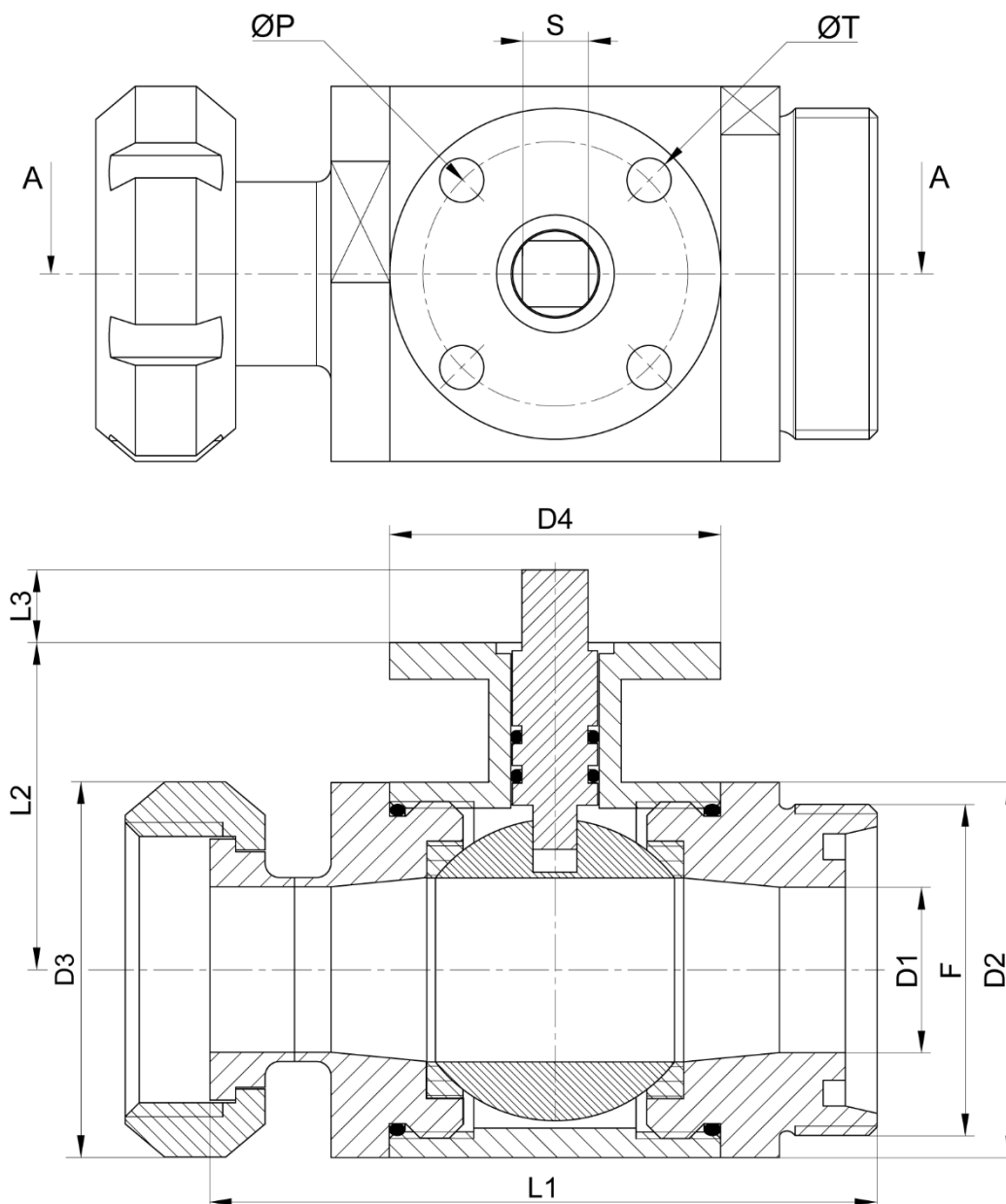
Operating pressure:

- PN20 for DN25
- PN15 from DN38 to DN76
- PN10 for DN104

Temperature: -20°C to +90°C

Material: 304 or 316L stainless steel

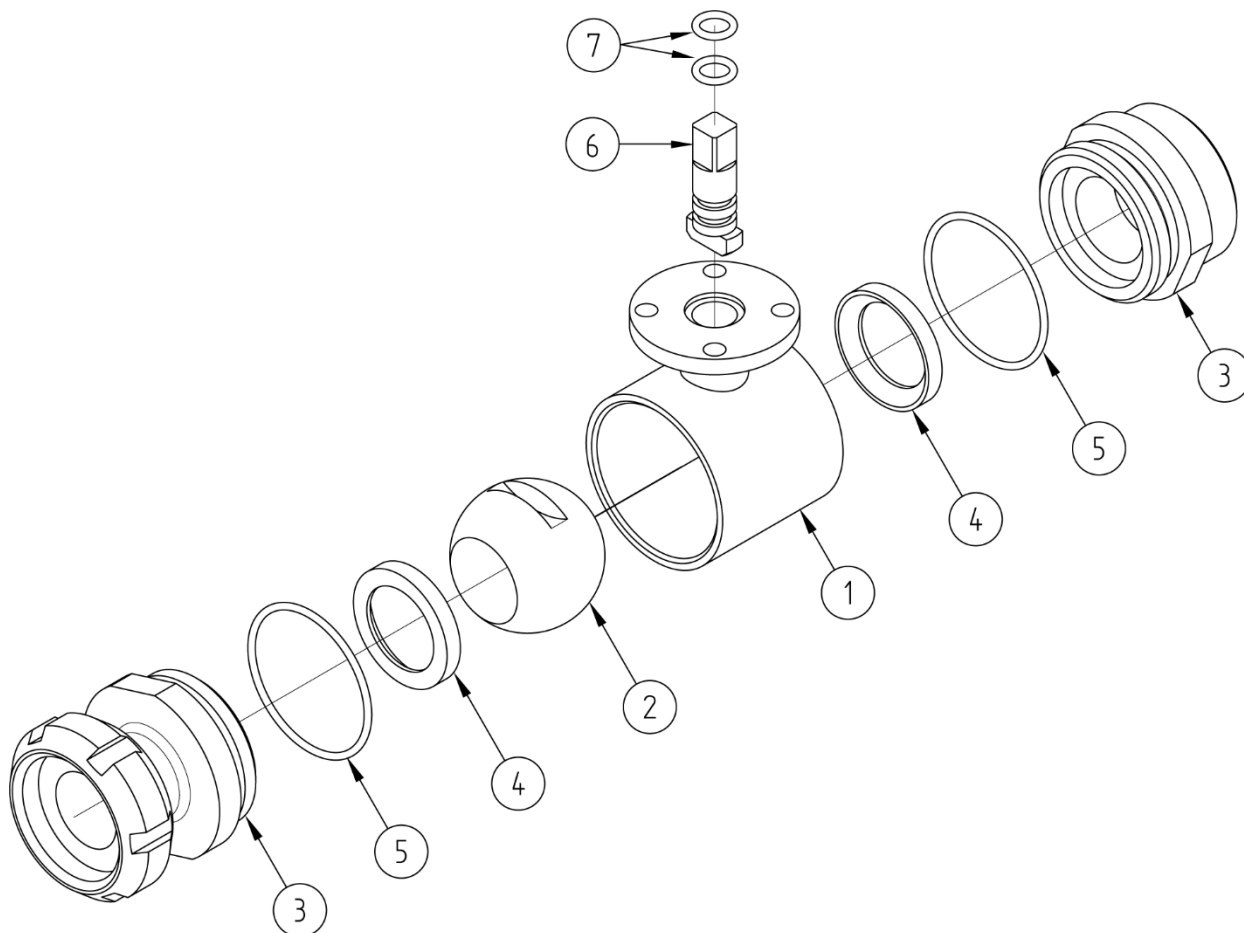
PTFE and NBR gaskets as standard


A-A CROSS SECTION

DN	NB	D1	D2	D3	D4	F	L1	L2	L3	ISO mounting plate	S	ØP	ØT	Weight	Part number SS 304	Part number SS 316L
(mm)	(inches)	(mm)	(mm)	(mm)	(mm)	(mm)	(mm)	(mm)	(mm)		(mm)	(mm)	(mm)	(kg)		
25	1"	22.4	51	51	45	40x1/6"	103	44.5	10	F03	9	36	6	1.20	261370-25	661370-25
38	1 1/2"	35.1	72.5	74	64	60x1/6"	131	60.5	12	F05	11	50	6.5	1.80	261370-38	661370-38
51	2"	48	88	84	64	70x1/6"	138	68	12	F05	11	50	6.5	2.70	261370-51	661370-51
63	2 1/2"	60.5	88	100	85	85x1/6"	138	90.5	16	F07	14	70	9	4.90	261370-63	661370-63
76	3"	73	124	114	85	98x1/6"	181	95	16	F07	14	70	9	5.90	261370-76	661370-76
104	4"	100	160	140	85	125x1/4"	206	112	19	F07	17	70	9	10.50	261370-104	661370-104

Béné Inox – 11 chemin de la Pierre Blanche – 69800 SAINT-PRIEST – S.A.S with 240 000 € share capital – SIREN N° 311 810 287 Tel. N°: +33 (0)4 78 90 48 22 – Fax N°: +33 (0)4 78 90 69 59 – www.bene-inox.com – bene@bene-inox.com

Technical information, illustrations and photographs are provided for information only, they are not contractual. Some may vary according to the tolerances accepted in the profession and the applicable standards. All instructions for use, disassembly and maintenance are recommendations only. These could also vary depending on product usage conditions, its installation environment and purchaser requirements – of which the purchaser alone is responsible for their definition.

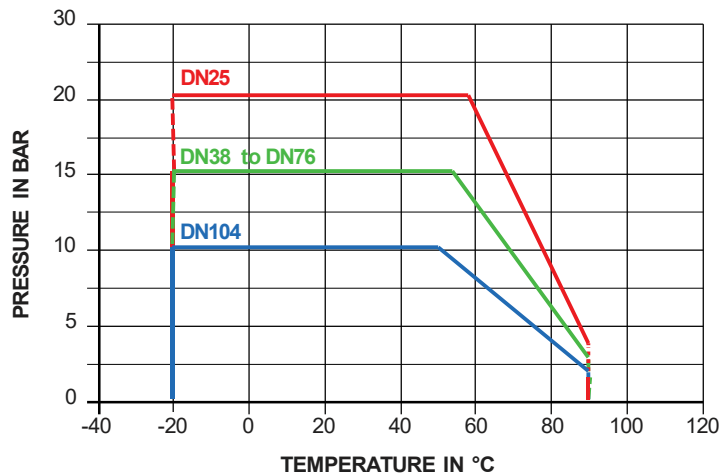


N°	Part Name	Material
1	BODY	AISI 304 / AISI 316L
2	BALL	AISI 304 / AISI 316L
3	MALE/FEMALE END PART	AISI 304 / AISI 316L
4	SEAT	PTFE
5	BODY GASKET	NBR
6	SHAFT	AISI 304 / AISI 316L
7	GASKET (SHAFT/BODY)	NBR

Use

Pressure and temperature

For pressure/temperature ratings, see the graph below.



Warning: If the ball valve is used with fluids that have a temperature above 60°C then people could burn themselves if they touch the ball valve.

Fluids

This valve is suitable for non-abrasive and non-coagulable fluids, as long as the fluids are chemically compatible with the valve parts that they can come into contact with.

Motorisation

You can motorise the valve through direct mounting using its ISO mounting plate (ISO 5211 standard).

The range 50 section in the Béné Inox catalogue shows our range of actuator models. Here is a list of pneumatic and electric actuators that are compatible with this valve.

DN (mm)	NB (inches)	Pneumatic motor		Electric motor		
		50800-SE (spring return)	50800-DE (double-acting type)	50835	50840	50844
25	1"	VP50	VP50	UMA35	ER20	-
38	1"1/2	VP75	VP63	UMA35	ER35	VR45
51	2"	VP75	VP75	UMC10	ER60	VR75
63	2"1/2	VP88	VP88	UMC10	ER100	VS100
76	3"	VP125	VP100	UMC15	-	VS150
104	4"	VP125	VP100	UMC15	-	VS150

Note: You must order the following fasteners and coupling adapter in addition to the ball valve to be able to complete valve/actuator assembly:

- Reduction gear
- Screw (x4)
- Washer (x4)

Please contact us so that we can confirm the dimensions of these parts for your valve/actuator assembly.

Assembly and maintenance instructions

Installation

You can install the valve in any position. However, check that all fluids can flow through it freely.

Check that there is enough space to carry out maintenance operations where you are planning to install the valve.

Check that all piping is perfectly aligned and that the piping support structure is dimensioned so that the valve is not subject to any external stresses. The piping support structure must only support the pipes, not the valve.

How to install a valve with a male end/female end:

Use a wrench that is suitable for the flat parts of the valve end flanges. You must not use the valve's body when you are tightening the assembly (this could damage the valve).

Clean the installation and check that the equipment is clean and free from foreign bodies that could damage the valve.

Pressure test the installation according to the relevant standards (e.g. EN 12266-1), but do not exceed the valve's specifications.

Béné Inox – 11 chemin de la Pierre Blanche – 69800 SAINT-PRIEST – S.A.S with 240 000 € share capital – SIREN N° 311 810 287 Tel. N°: +33 (0)4 78 90 48 22 – Fax N°: +33 (0)4 78 90 69 59 – www.bene-inox.com – bene@bene-inox.com

Technical information, illustrations and photographs are provided for information only, they are not contractual. Some may vary according to the tolerances accepted in the profession and the applicable standards. All instructions for use, disassembly and maintenance are recommendations only. These could also vary depending on product usage conditions, its installation environment and purchaser requirements – of which the purchaser alone is responsible for their definition.

Maintenance

The valve does not require any specific maintenance if it is used in normal operating conditions.

If the valve is never opened or closed during normal operation then you should regularly open and close the valve to check that it is still working correctly.

You may need to change some of the valve's parts due to unusual wear and tear, or if a fluid has damaged the valve and caused a leak or malfunction.

If this is the case see the "Assembly / Disassembly" section below.

Assembly / Disassembly

The maintenance and removal/reassembly of the valve must be carried out by personnel who are qualified and trained for this type of intervention.



Warning: Before you work on the valve, check that the installation has been stopped and that the piping is empty and is not pressurised.

Warning: If the ball valve is used with fluids that have a temperature above 60°C then people could burn themselves if they touch the ball valve.

Warning: Beware of hazardous materials - follow the instructions provided by the suppliers.

If there is a handle or actuator then you must remove this first.

Close the valve.

Unscrew the two ends **3** and remove the two seat parts **4**.

Push on the ball **2** to extract it.

Press the shaft **6** to remove it from the body. Replace the worn gaskets (parts **4,5** and **7**).

Follow the disassembly steps in reverse order to reassemble the valve.

Pressure test the valve and check that it can be opened and closed before you put the installation back into service.

Standards and compliance

- This valve complies with European Pressure Equipment Directive (PED) 2014/68/EU Article 4 paragraph 3 (formerly 97/23/EC Article 3 paragraph 3)
- This valve complies with EC Directive 1935/2004