

# Butterfly valve accessories

**Model 61520** **Aluminium pneumatic actuator with fixing bracket**  
- spring return or double-acting type



## Specifications

**Dimensions:** for food and beverage industry butterfly valves DN25 to DN104

**Air connection:**

- 1/8" for VP75 and VP88
- 1/4" for VPI00

**Operating pressure:** 4 to 8 bar

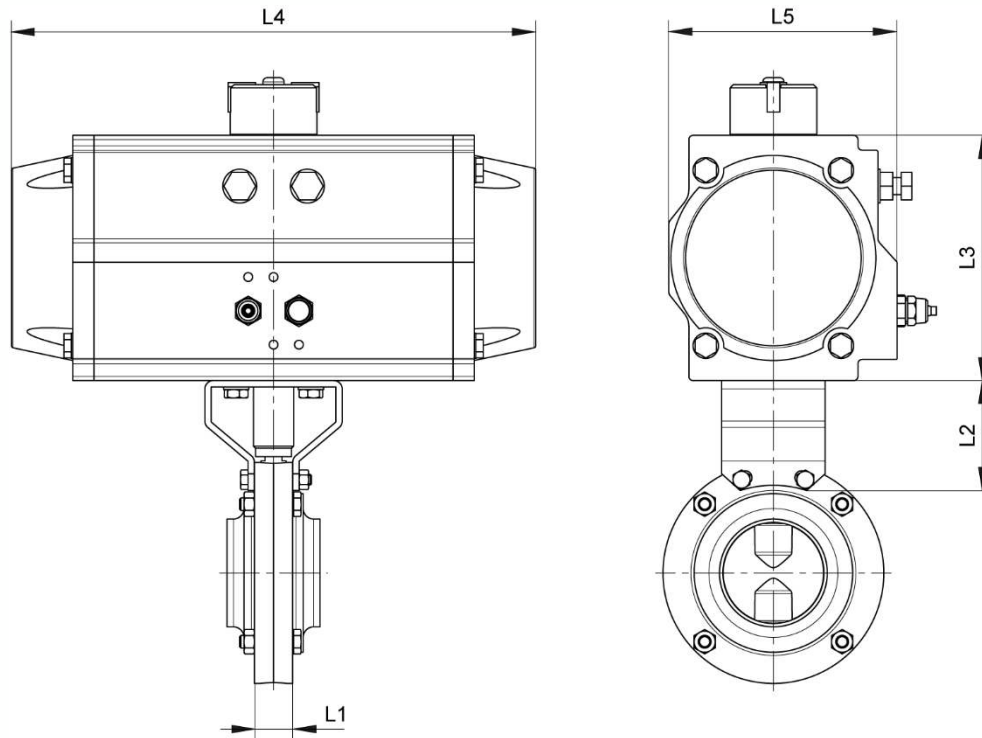
**Ambient temperature:** -20°C to +80°C

**Material:** Aluminium actuator

304 stainless steel fixing bracket and coupling

ATEX II 2 GD (EX9 12 09 82326 001 certificate)

## DN25 to DN76 valves



### Spring return

Valve DN (mm)	Valve standard	L1 (mm)	L2 (mm)	L3 (mm)	L4 (mm)	L5 (mm)	Valve shaft (mm)
25	SMS / DIN / CLAMP	18	52	116	248	108	8 (flat side)
32 / 38 / 40	SMS / DIN / CLAMP / MACON	18	52	116	248	108	8 (flat side)
50 / 51	SMS / DIN / CLAMP / MACON	18	52	116	248	108	8 (flat side)
60 / 63	SMS / MACON	18	52	116	248	108	8 (flat side)
65 / 70 / 76	SMS / DIN / CLAMP / MACON	18	52	116	248	108	8 (flat side)

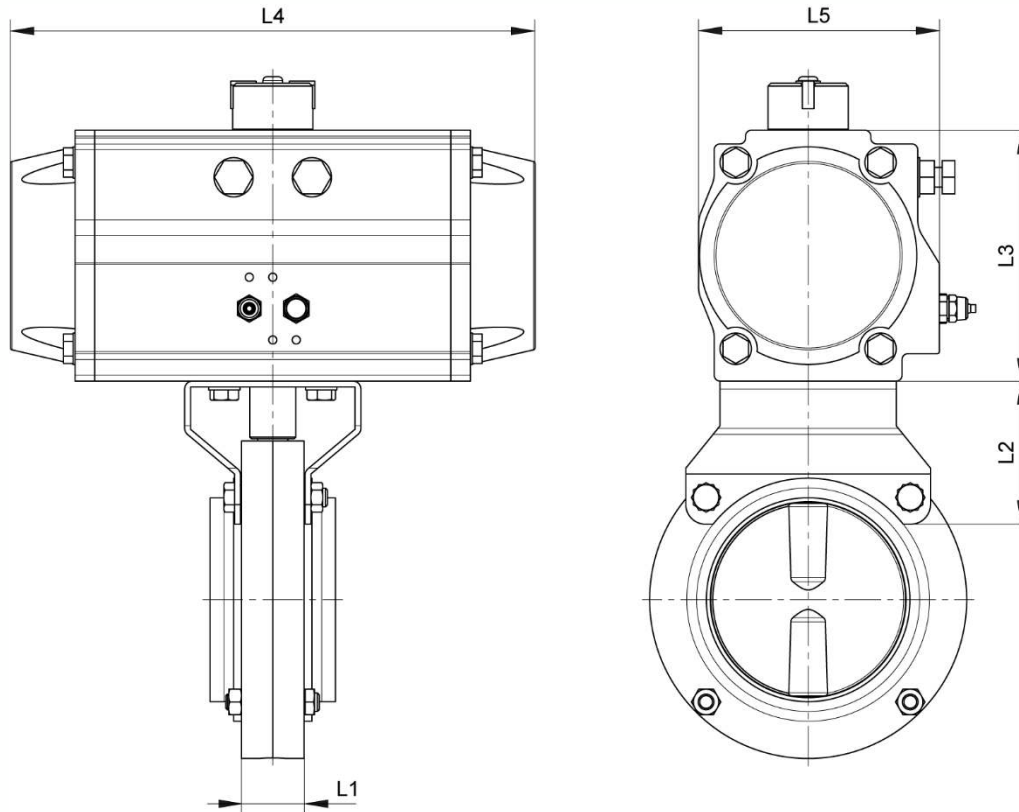
### Double-acting type

Valve DN (mm)	Valve standard	L1 (mm)	L2 (mm)	L3 (mm)	L4 (mm)	L5 (mm)	Valve shaft (mm)
25	SMS / DIN / CLAMP	18	52	103	208	96	8 (flat side)
32 / 38 / 40	SMS / DIN / CLAMP / MACON	18	52	103	208	96	8 (flat side)
50 / 51	SMS / DIN / CLAMP / MACON	18	52	103	208	96	8 (flat side)
60 / 63	SMS / MACON	18	52	103	208	96	8 (flat side)
65 / 70 / 76	SMS / DIN / CLAMP / MACON	18	52	103	208	96	8 (flat side)

**Béné Inox** – 11 chemin de la Pierre Blanche – 69800 SAINT-PRIEST – S.A.S with 240 000 € share capital – SIREN N° 311 810 287  
 Tel. N°: +33 (0)4 78 90 48 22 – Fax N°: +33 (0)4 78 90 69 59 – [www.bene-inox.com](http://www.bene-inox.com) – [bene@bene-inox.com](mailto:bene@bene-inox.com)

Technical information, illustrations and photographs are provided for information only, they are not contractual. Some may vary according to the tolerances accepted in the profession and the applicable standards. All instructions for use, disassembly and maintenance are recommendations only. These could also vary depending on product usage conditions, its installation environment and purchaser requirements – of which the purchaser alone is responsible for their definition.

## DN80 to DNI04 valves



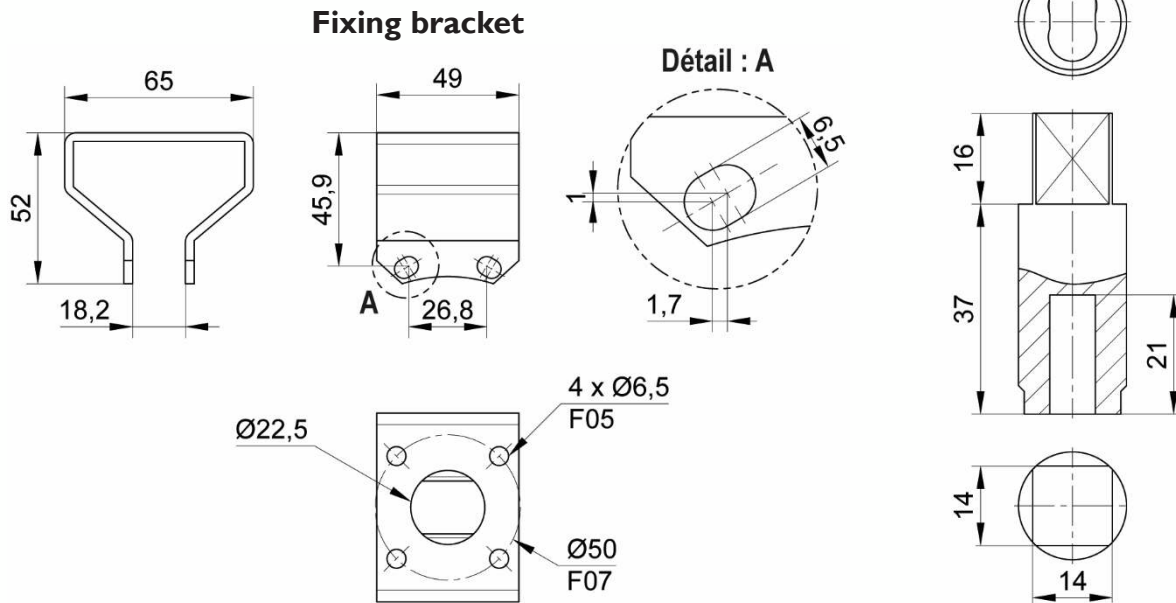
### Spring return

Valve DN (mm)	Valve standard	L1 (mm)	L2 (mm)	L3 (mm)	L4 (mm)	L5 (mm)	Valve shaft (mm)
80	DIN	32	70	128	268	123	9.5 x 9.5 (square)
100 / 104	SMS / DIN / CLAMP / MACON	32	73	128	268	123	9.5 x 9.5 (square)

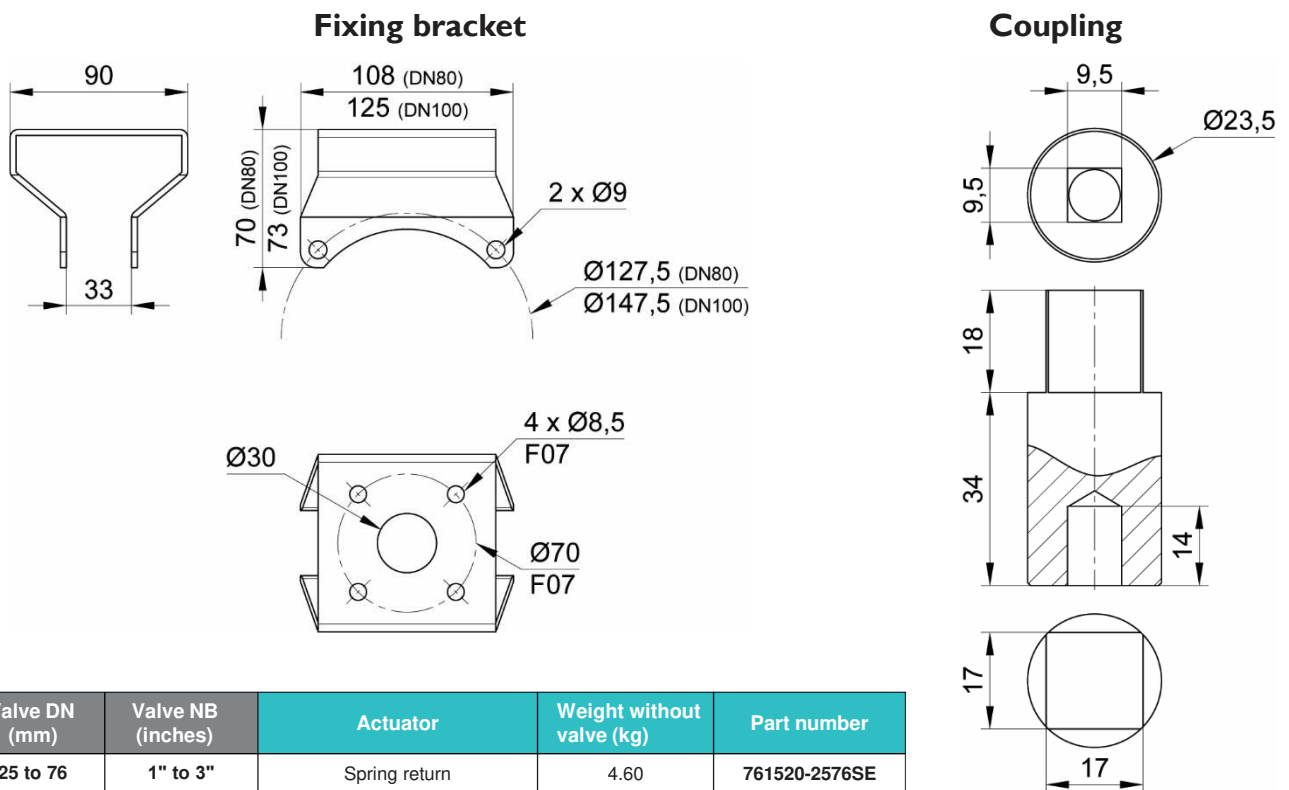
### Double-acting type

Valve DN (mm)	Valve standard	L1 (mm)	L2 (mm)	L3 (mm)	L4 (mm)	L5 (mm)	Valve shaft (mm)
80	DIN	32	70	103	208	96	9.5 x 9.5 (square)
100 / 104	SMS / DIN / CLAMP / MACON	32	73	103	208	96	9.5 x 9.5 (square)

### DN25 to DN76 valves



### DN80 to DN104 valves

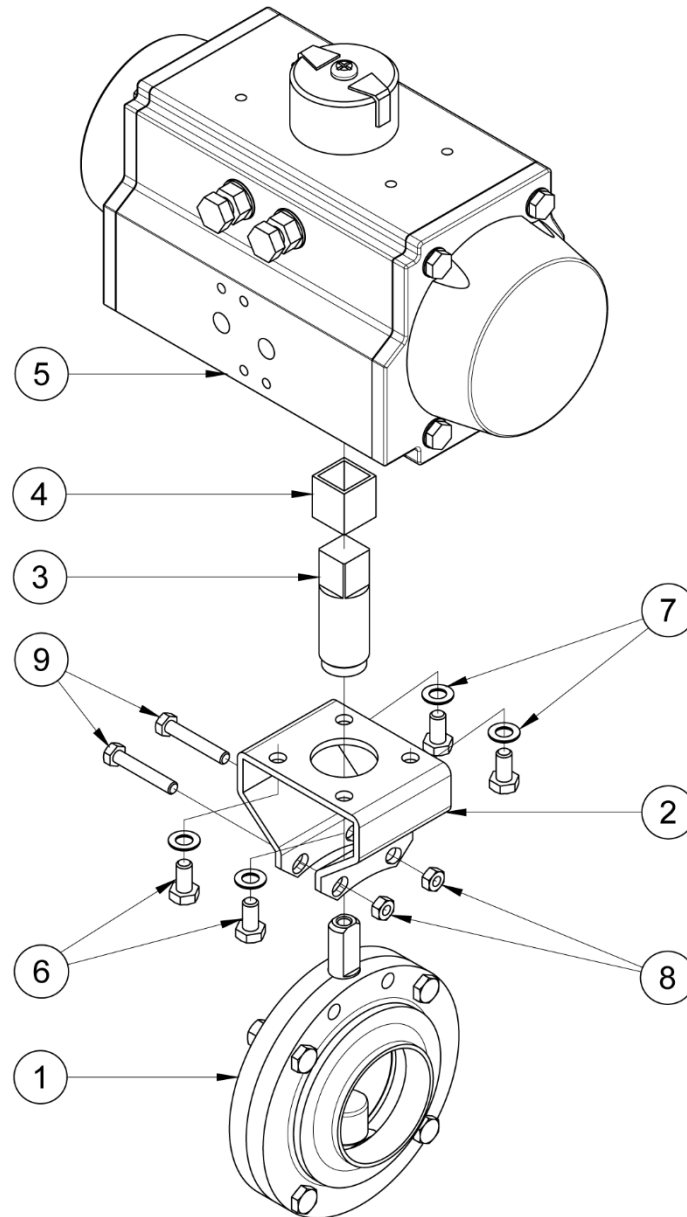


Valve DN (mm)	Valve NB (inches)	Actuator	Weight without valve (kg)	Part number
25 to 76	1" to 3"	Spring return	4.60	761520-2576SE
25 to 76	1" to 3"	Double-acting type	3.45	761520-2576DE
80	3"1/2	Spring return	6.40	761520-80SE
80	3"1/2	Double-acting type	3.80	761520-80DE
100 and 104	4"	Spring return	6.60	761520-104SE
100 and 104	4"	Double-acting type	2.98	761520-104DE

**Béné Inox** – 11 chemin de la Pierre Blanche – 69800 SAINT-PRIEST – S.A.S with 240 000 € share capital – SIREN N° 311 810 287  
Tel. N°: +33 (0)4 78 90 48 22 – Fax N°: +33 (0)4 78 90 69 59 – [www.bene-inox.com](http://www.bene-inox.com) – [bene@bene-inox.com](mailto:bene@bene-inox.com)

Technical information, illustrations and photographs are provided for information only, they are not contractual. Some may vary according to the tolerances accepted in the profession and the applicable standards. All instructions for use, disassembly and maintenance are recommendations only. These could also vary depending on product usage conditions, its installation environment and purchaser requirements – of which the purchaser alone is responsible for their definition.

**DN25 to DN76 valves**

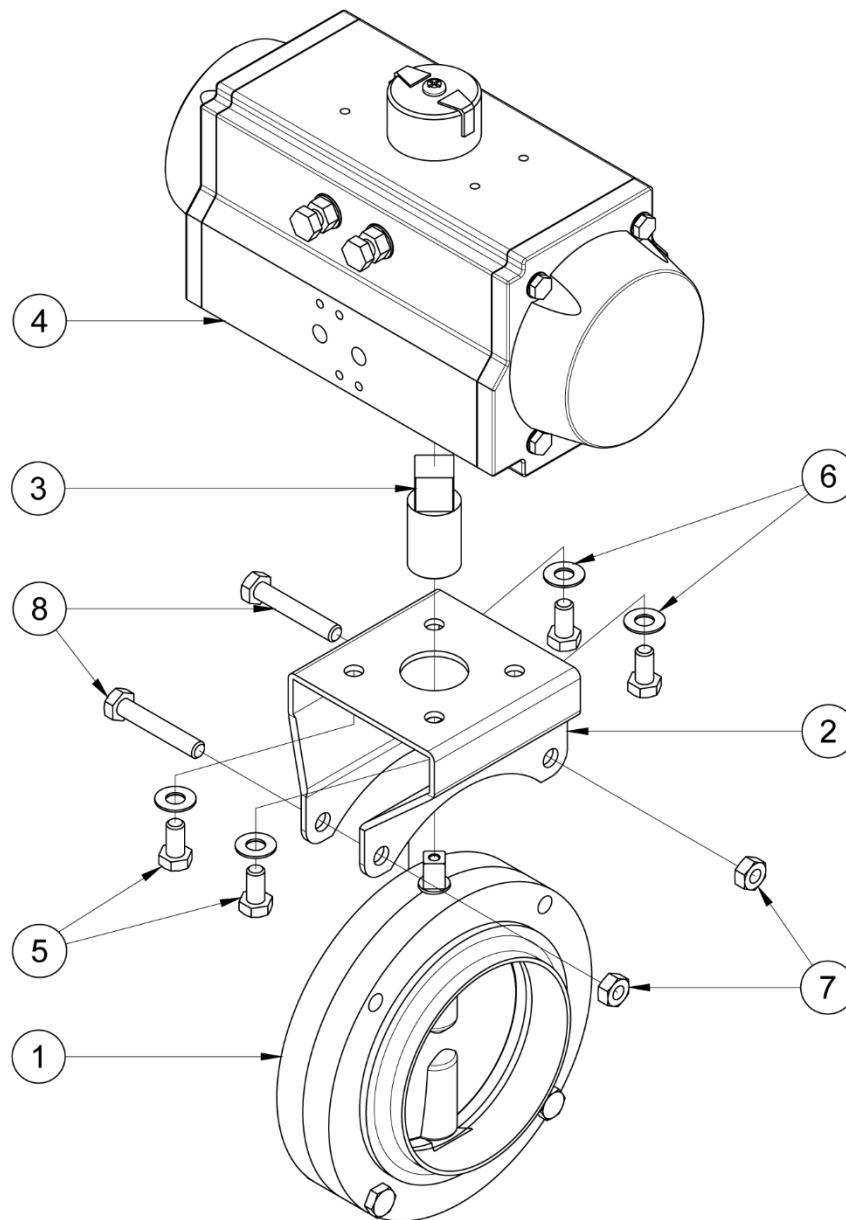


N°	Part Name	Material	Quantity
1	BUTTERFLY VALVE	STAINLESS STEEL/ELASTOMER	1
2	FIXING BRACKET	304 STAINLESS STEEL	1
3	COUPLING	304 STAINLESS STEEL	1
4	DRIVE ADAPTER SLEEVE	STAINLESS STEEL	1
5	ACTUATOR	ALUMINIUM	1
6	FIXING BOLT (BRACKET/ACTUATOR)	A2 STAINLESS STEEL	4
7	WASHER (BRACKET/ACTUATOR)	A2 STAINLESS STEEL	4
8	NUTS (BRACKET/VALVE)	A2 STAINLESS STEEL	2
9	FIXING BOLT (BRACKET/VALVE)	A2 STAINLESS STEEL	2

**Béné Inox** – 11 chemin de la Pierre Blanche – 69800 SAINT-PRIEST – S.A.S with 240 000 € share capital – SIREN N° 311 810 287  
Tel. N°: +33 (0)4 78 90 48 22 – Fax N°: +33 (0)4 78 90 69 59 – [www.bene-inox.com](http://www.bene-inox.com) – [bene@bene-inox.com](mailto:bene@bene-inox.com)

Technical information, illustrations and photographs are provided for information only, they are not contractual. Some may vary according to the tolerances accepted in the profession and the applicable standards. All instructions for use, disassembly and maintenance are recommendations only. These could also vary depending on product usage conditions, its installation environment and purchaser requirements – of which the purchaser alone is responsible for their definition.

**DN80 to DNI04 valves**



N°	Part Name	Material	Quantity
1	BUTTERFLY VALVE	STAINLESS STEEL/ELASTOMER	1
2	FIXING BRACKET	304 STAINLESS STEEL	1
3	COUPLING	304 STAINLESS STEEL	1
4	ACTUATOR	ALUMINIUM	1
5	FIXING BOLT (BRACKET/ACTUATOR)	A2 STAINLESS STEEL	4
6	WASHER (BRACKET/ACTUATOR)	A2 STAINLESS STEEL	4
7	NUTS (BRACKET/VALVE)	A2 STAINLESS STEEL	2
8	FIXING BOLT (BRACKET/VALVE)	A2 STAINLESS STEEL	2

**Béné Inox** – 11 chemin de la Pierre Blanche – 69800 SAINT-PRIEST – S.A.S with 240 000 € share capital – SIREN N° 311 810 287  
 Tel. N°: +33 (0)4 78 90 48 22 – Fax N°: +33 (0)4 78 90 69 59 – [www.bene-inox.com](http://www.bene-inox.com) – [bene@bene-inox.com](mailto:bene@bene-inox.com)

Technical information, illustrations and photographs are provided for information only, they are not contractual. Some may vary according to the tolerances accepted in the profession and the applicable standards. All instructions for use, disassembly and maintenance are recommendations only. These could also vary depending on product usage conditions, its installation environment and purchaser requirements – of which the purchaser alone is responsible for their definition.

## Assembly and maintenance instructions

### Installation

You can install the pneumatic actuator in any position.

Solenoid valve and accessory installation should be carried out according to the NAMUR VDI/VDE 3845 standard.

You need to remove the visual position indicator above the valve if you want to install a position sensing unit (open/closed).

Check that there is enough space to install the actuator and to carry out maintenance operations where you are planning to install it.

Make sure that both the valve and actuator are closed.

Check the pneumatic and electric connections (if you are adding accessories).

### Maintenance

The actuator does not require any specific maintenance if it is used under normal operating conditions.

If the actuator is never opened or closed during normal operation then you should regularly open and close the actuator to check that it is still working correctly.

### Assembly / Disassembly

*The maintenance and removal/installation of the actuator must be carried out by personnel who are qualified and trained for this type of intervention.*



Warning: Before you work on the actuator you must remove it from where it is installed, disconnect any air or electric supply connections and remove any accessories connected to the actuator.

### DN25 to DN76 valves

Insert the drive adaptor sleeve **4** into the coupling **3**.

Insert the coupling **3** into the actuator drive **5**, check that you put the flat sections in the right way.

Attach the fixing bracket **2** to the actuator **5** using the bolts **6** and the washers **7**.

Insert the assembly onto the butterfly valve's shaft **1** and push it as far as it will go.

Connect the resulting assembly together with the bolts **9** and the nuts **8**.

## DN80 to DN104 valves

Attach the fixing bracket **2** to the actuator **4** using the bolts **5** and the washers **6**.

Place the coupling **3** onto the butterfly valve's shaft **1**.

Remove the bolts from the upper part of the valve **1**.

Place the actuator **4** + fixing bracket **2** + coupling **3** assembly onto the valve **1** and push it as far as it will go.

Connect the resulting assembly together with the bolts **8** and the nuts **7**.

---

You can refer to the following product data sheets for more technical information (model **50800**):

- **50800SE-LMOD1**: 1/4 turn (90°) aluminium, spring return pneumatic actuator with rack and pinion
- **50800DE-LMOD1**: 1/4 turn (90°) aluminium, double-acting pneumatic actuator with rack and pinion



## Product Compatibility

You can assemble the aluminium pneumatic actuator with fixing bracket, **61520**, onto the following valve models:

### Range 61 - SMS standard

Models **61310 - 61410 - 61510**: Butterfly valves with plain ends  
Models **61312 - 61622 - 61632**: Butterfly valves with plain end/male end  
Models **61313 - 61623 - 61624**: Butterfly valves with male ends  
Models **61314 - 61351 - 61352**: Butterfly valves with plain end/female end + nut  
Models **61315 - 61356 - 61357**: Butterfly valves with male end/female end + nut  
Models **61358 - 61359 - 61360**: Butterfly valves with female ends + nuts

### Range 62 - DIN standard

Models **62311 - 62630 - 62631**: Butterfly valves with plain ends  
Models **62312 - 62622 - 62632**: Butterfly valves with plain end/male end  
Models **62313 - 62623 - 62624**: Butterfly valves with male ends  
Models **62314 - 62351 - 62352**: Butterfly valves with plain end/female end + nut  
Models **62315 - 62356 - 62357**: Butterfly valves with male end/female end + nut  
Models **62316 - 62358 - 62359**: Butterfly valves with female ends + nuts

### Range 63 - CLAMP

Models **63451 - 63455 - 63456**: Butterfly valves with clamp ferrule ends  
Models **63453 - 63457 - 63458**: Butterfly valves with plain end/clamp ferrule end

### Range 64 - MACON

Models **64311 - 64331 - 64341**: Butterfly valves with plain ends  
Models **64312 - 64332 - 64342**: Butterfly valves with plain end/male end  
Models **64313 - 64333 - 64343**: Butterfly valves with male ends  
Models **64315 - 64334 - 64344**: Butterfly valves with plain end/female end + nut  
Models **64321 - 64335 - 64345**: Butterfly valves with male end/square flange

Please contact us if you want to order an actuator for assembly with any other valve.