

Butterfly valve accessories

Electric actuator ER+ with fixing bracket - IP66

Model 61527 without any options

Model 61528 Failsafe

Model 61529 Positioner



Specifications

Dimensions: for food and beverage industry butterfly valves DN25 to DN100

Supply voltage:

- 100V to 240V AC and 100V to 350V DC
- 15V to 30V AC and 12V to 48V DC

Operating temperature: -10°C to +55°C

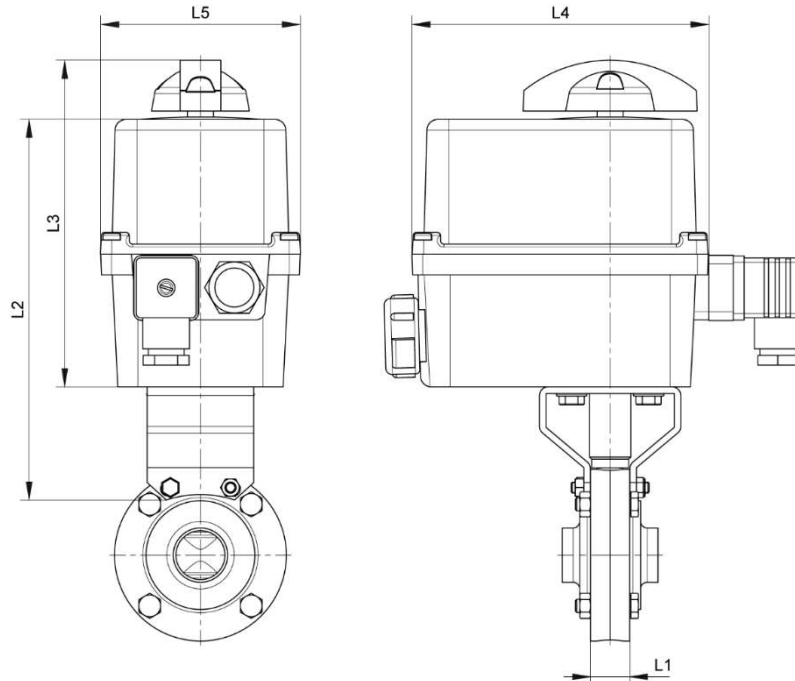
Actuator torque:

- DN25 to DN40 valves: 35 Nm
- DN50 to DN100 valves: 60 Nm

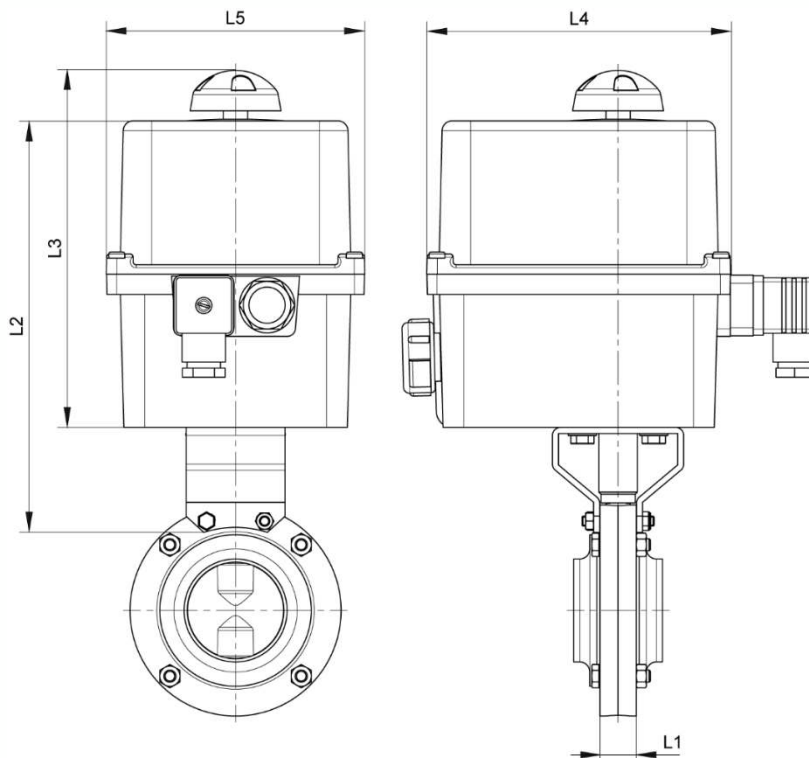
Material: Plastic actuator

304 stainless steel bracket and coupling

DN25 to DN40 valves



DN50 to DN76 valves

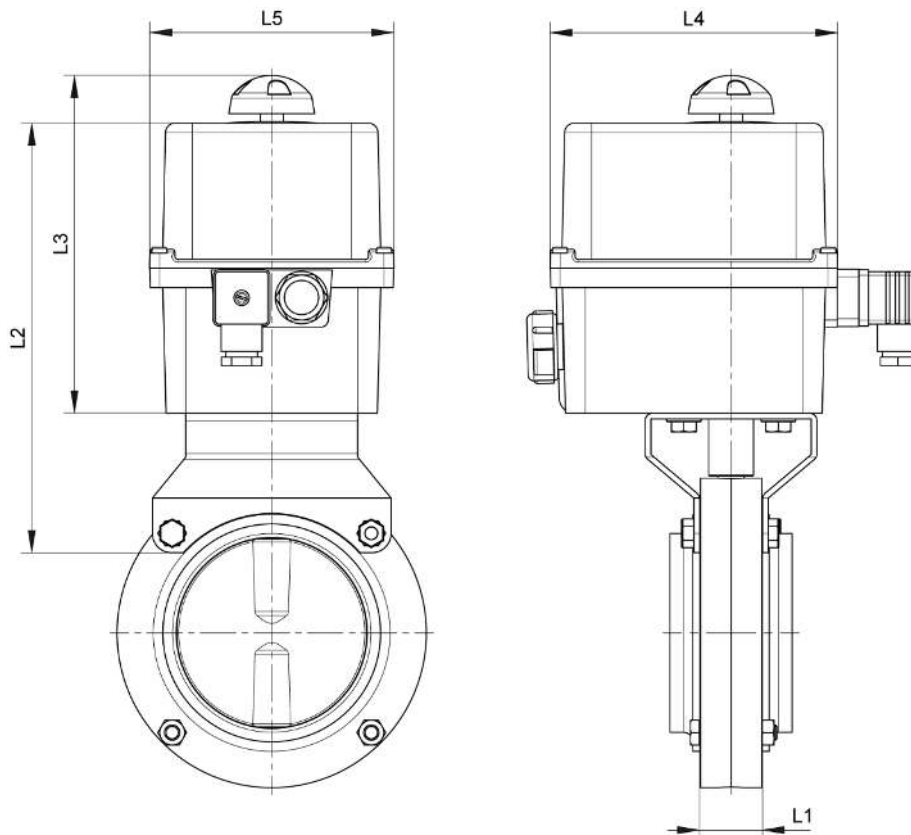


Valve DN (mm)	Valve standard	L1 (mm)	L2 (mm)	L3 (mm)	L4 (mm)	L5 (mm)	Valve shaft (mm)
25	SMS / DIN / CLAMP	18	176	152	136	92	8 (flat side)
32 / 38 / 40	SMS / DIN / CLAMP / MACON	18	176	152	136	92	8 (flat side)
50 / 51	SMS / DIN / CLAMP / MACON	18	204	176	151	128	8 (flat side)
60 / 63	SMS / MACON	18	204	176	151	128	8 (flat side)
65 / 70 / 76	SMS / DIN / CLAMP / MACON	18	204	176	151	128	8 (flat side)

Béné Inox – 11 chemin de la Pierre Blanche – 69800 SAINT-PRIEST – S.A.S with 240 000 € share capital – SIREN N° 311 810 287
Tel. N°: +33 (0)4 78 90 48 22 – Fax N°: +33 (0)4 78 90 69 59 – www.bene-inox.com – bene@bene-inox.com

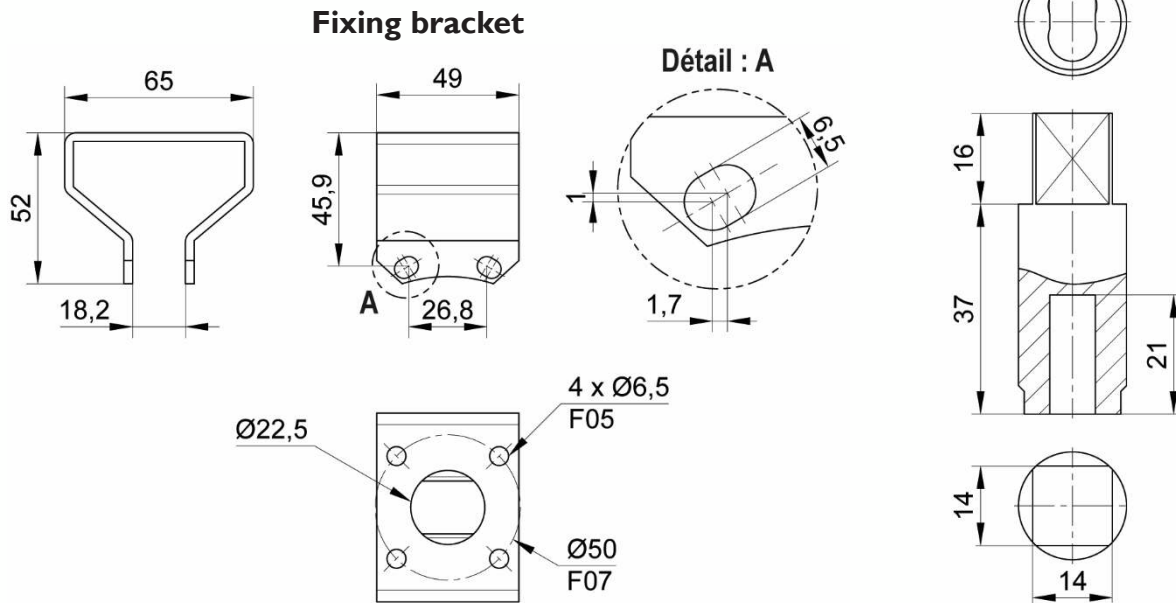
Technical information, illustrations and photographs are provided for information only, they are not contractual. Some may vary according to the tolerances accepted in the profession and the applicable standards. All instructions for use, disassembly and maintenance are recommendations only. These could also vary depending on product usage conditions, its installation environment and purchaser requirements – of which the purchaser alone is responsible for their definition.

DN80 to DNI00 valves

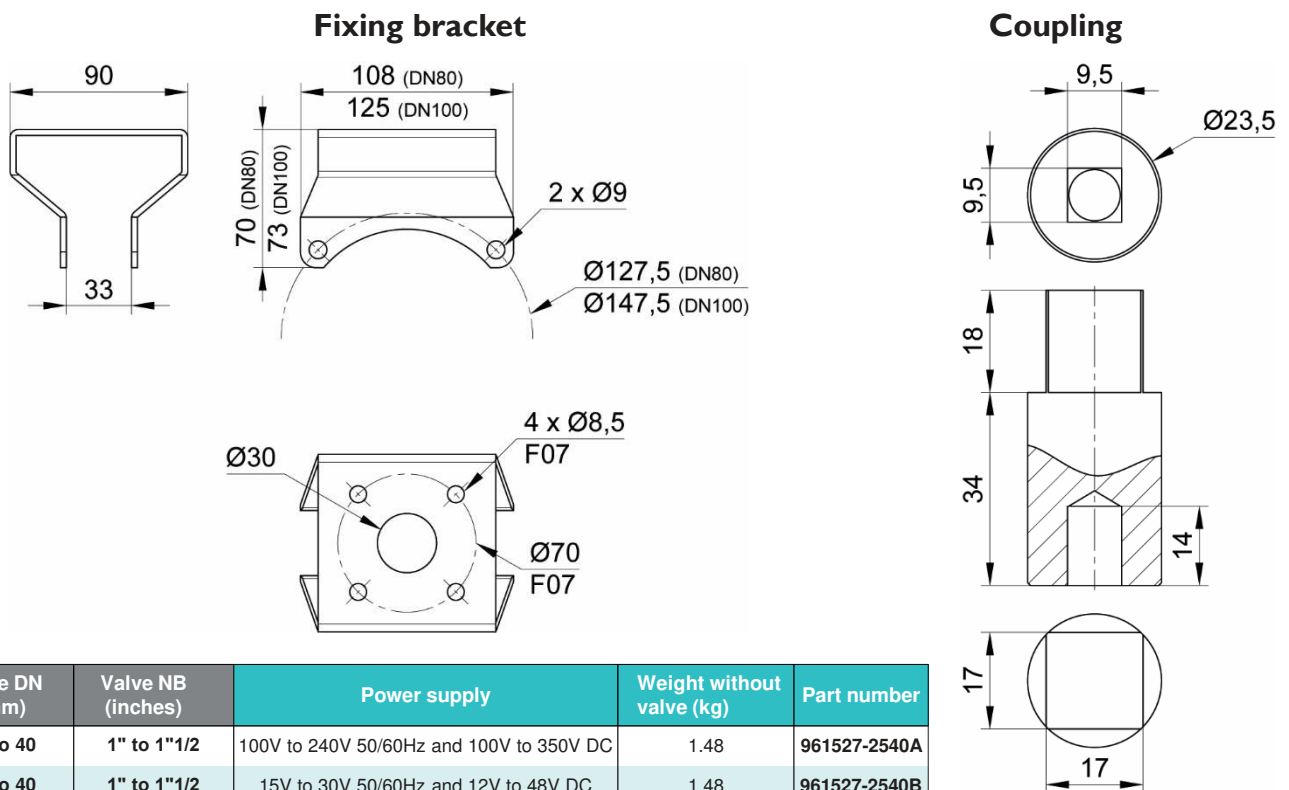


Valve DN (mm)	Valve standard	L1 (mm)	L2 (mm)	L3 (mm)	L4 (mm)	L5 (mm)	Valve shaft (mm)
80	DIN	32	222	176	151	128	9.5 x 9.5 (square)
100 / 104	SMS / DIN / CLAMP / MACON	32	225	176	151	128	9.5 x 9.5 (square)

DN25 to DN76 valves



DN80 to DN100 valves

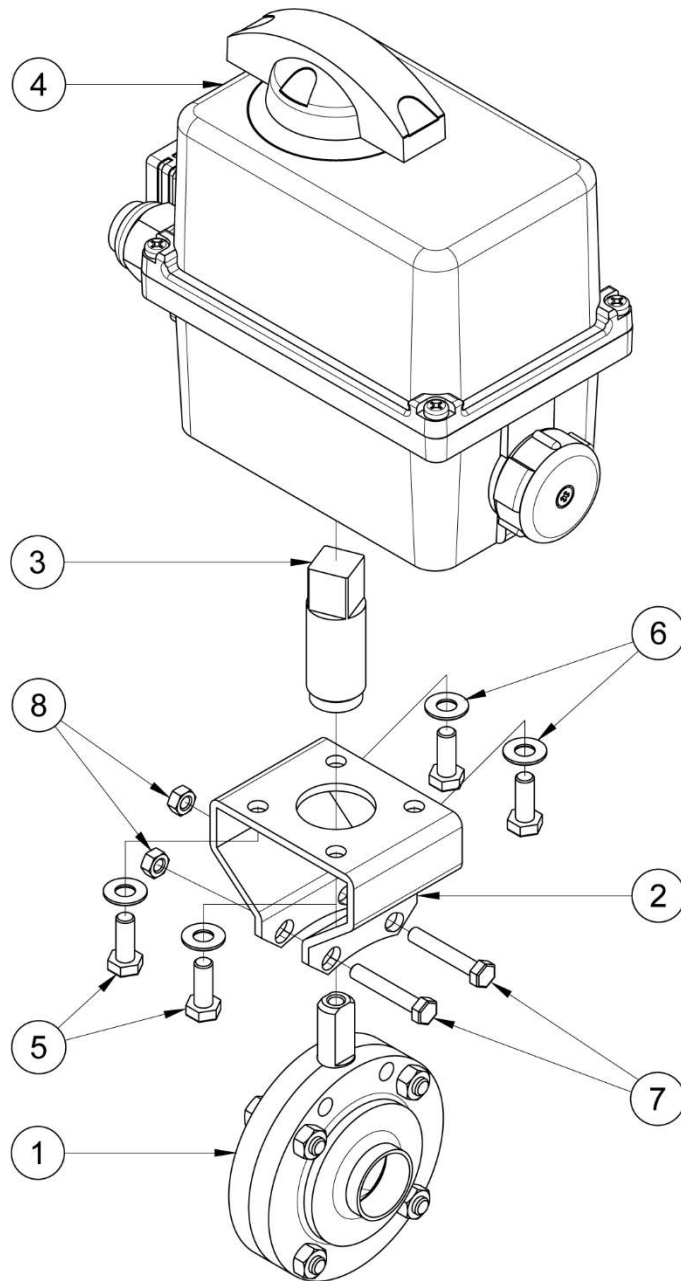


Valve DN (mm)	Valve NB (inches)	Power supply	Weight without valve (kg)	Part number
25 to 40	1" to 1 1/2"	100V to 240V 50/60Hz and 100V to 350V DC	1.48	961527-2540A
25 to 40	1" to 1 1/2"	15V to 30V 50/60Hz and 12V to 48V DC	1.48	961527-2540B
50 to 76	2" to 3"	100V to 240V 50/60Hz and 100V to 350V DC	2.58	961527-5076A
50 to 76	2" to 3"	15V to 30V 50/60Hz and 12V to 48V DC	2.58	961527-5076B
80	3 1/2"	100V to 240V 50/60Hz and 100V to 350V DC	2.94	961527-80A
80	3 1/2"	15V to 30V 50/60Hz and 12V to 48V DC	2.94	961527-80B
100 and 104	4"	100V to 240V 50/60Hz and 100V to 350V DC	2.98	961527-104A
100 and 104	4"	15V to 30V 50/60Hz and 12V to 48V DC	2.98	961527-104B

Béné Inox – 11 chemin de la Pierre Blanche – 69800 SAINT-PRIEST – S.A.S with 240 000 € share capital – SIREN N° 311 810 287
 Tel. N°: +33 (0)4 78 90 48 22 – Fax N°: +33 (0)4 78 90 69 59 – www.bene-inox.com – bene@bene-inox.com

Technical information, illustrations and photographs are provided for information only, they are not contractual. Some may vary according to the tolerances accepted in the profession and the applicable standards. All instructions for use, disassembly and maintenance are recommendations only. These could also vary depending on product usage conditions, its installation environment and purchaser requirements – of which the purchaser alone is responsible for their definition.

DN25 to DN40 valves

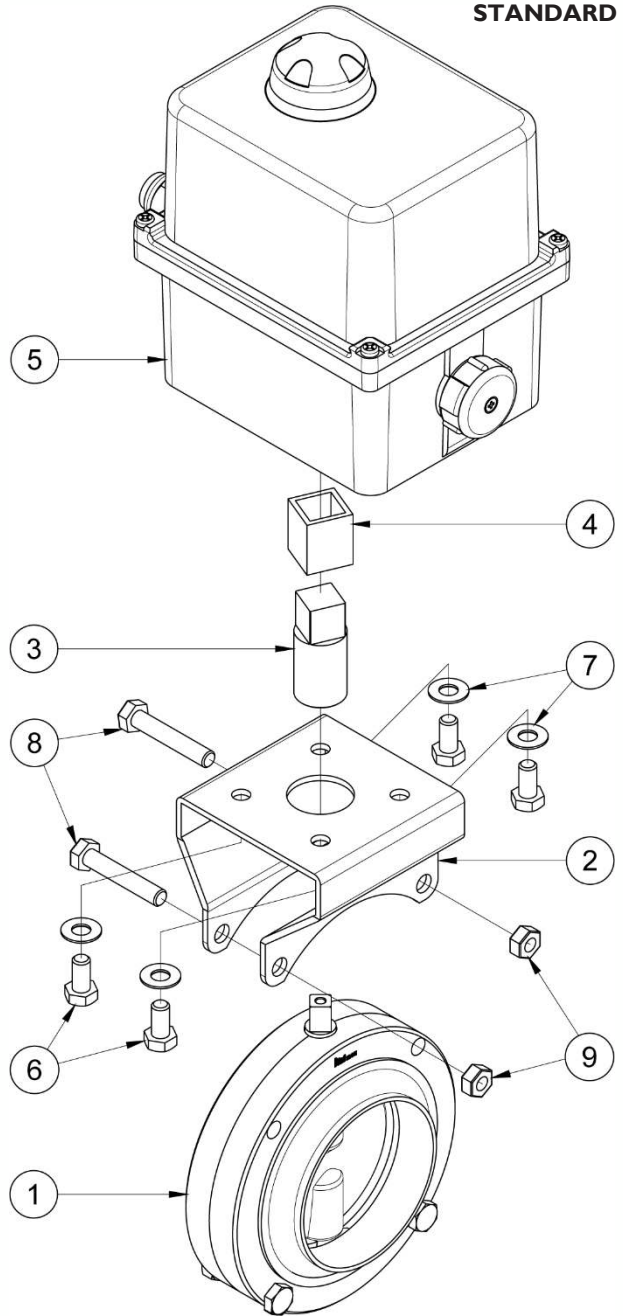
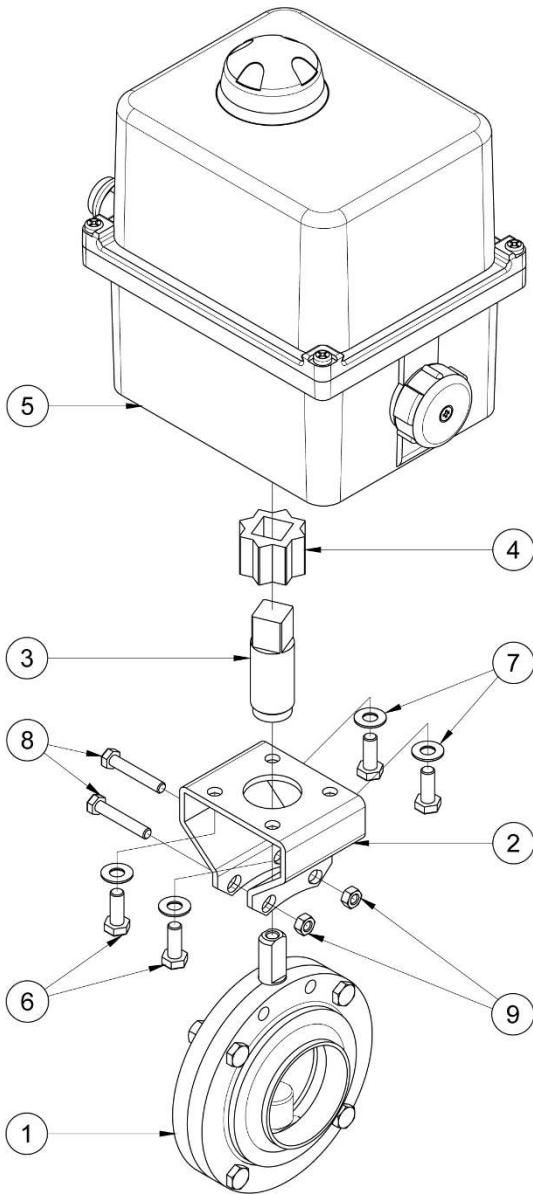


N°	Part Name	Material	Quantity
1	BUTTERFLY VALVE	STAINLESS STEEL/ELASTOMER	1
2	FIXING BRACKET	304 STAINLESS STEEL	1
3	COUPLING	304 STAINLESS STEEL	1
4	ACTUATOR	PLASTIC	1
5	FIXING BOLT (BRACKET/ACTUATOR)	A2 STAINLESS STEEL	4
6	WASHER (BRACKET/ACTUATOR)	A2 STAINLESS STEEL	4
7	FIXING BOLT (BRACKET/VALVE)	A2 STAINLESS STEEL	2
8	NUTS (BRACKET/VALVE)	A2 STAINLESS STEEL	2

Béné Inox – 11 chemin de la Pierre Blanche – 69800 SAINT-PRIEST – S.A.S with 240 000 € share capital – SIREN N° 311 810 287
Tel. N°: +33 (0)4 78 90 48 22 – Fax N°: +33 (0)4 78 90 69 59 – www.bene-inox.com – bene@bene-inox.com

Technical information, illustrations and photographs are provided for information only, they are not contractual. Some may vary according to the tolerances accepted in the profession and the applicable standards. All instructions for use, disassembly and maintenance are recommendations only. These could also vary depending on product usage conditions, its installation environment and purchaser requirements – of which the purchaser alone is responsible for their definition.

DN50 to DN76 valves



N°	Part Name	Material	Quantity
1	BUTTERFLY VALVE	STAINLESS STEEL/ELASTOMER	1
2	FIXING BRACKET	304 STAINLESS STEEL	1
3	COUPLING	304 STAINLESS STEEL	1
4	DRIVE ADAPTOR SLEEVE	STAINLESS STEEL	1
5	ACTUATOR	PLASTIC	1
6	FIXING BOLT (BRACKET/ACTUATOR)	A2 STAINLESS STEEL	4
7	WASHER (BRACKET/ACTUATOR)	A2 STAINLESS STEEL	4
8	FIXING BOLT (BRACKET/VALVE)	A2 STAINLESS STEEL	2
9	NUTS (BRACKET/VALVE)	A2 STAINLESS STEEL	2

Béné Inox – 11 chemin de la Pierre Blanche – 69800 SAINT-PRIEST – S.A.S with 240 000 € share capital – SIREN N° 311 810 287
Tel. N°: +33 (0)4 78 90 48 22 – Fax N°: +33 (0)4 78 90 69 59 – www.bene-inox.com – bene@bene-inox.com

Technical information, illustrations and photographs are provided for information only, they are not contractual. Some may vary according to the tolerances accepted in the profession and the applicable standards. All instructions for use, disassembly and maintenance are recommendations only. These could also vary depending on product usage conditions, its installation environment and purchaser requirements – of which the purchaser alone is responsible for their definition.

Assembly and maintenance instructions

Installation

It is best to install the actuator vertically, with the actuator above the valve, or horizontally. Do not install the actuator below the valve.

Check that there is enough space to install the actuator and to carry out maintenance operations where you are planning to install it.

Maintenance

The actuator does not require any specific maintenance if it is used under normal operating conditions.

If the actuator is never opened or closed during normal operation then you should regularly open and close the actuator to check that it is still working correctly.

Assembly / Disassembly

The maintenance and removal/installation of the actuator must be carried out by personnel who are qualified and trained for this type of intervention.



Warning: Before you work on the actuator, check that its electrical supply has been correctly turned off.

Warning: If the actuator is used at a temperature above 60°C then people could burn themselves if they touch it.

Warning: Beware of hazardous materials - follow the instructions provided by the suppliers.

DN25 to DN40 valves

Insert the coupling **3** into the actuator drive **4**, check that you put the flat sections in the right way.

Attach the fixing bracket **2** to the actuator **4** using the bolts **5** and the washers **6**.

Place the assembly onto the butterfly valve's shaft **1** and push it as far as it will go.

Connect the resulting assembly together with the bolts **7** and the nuts **8**.

DN50 to DN76 valves

Put the drive adaptor sleeve **4** onto the coupling **3**.

Insert the coupling **3** into the actuator drive **5**, check that you put the flat sections in the right way.

Attach the fixing bracket **2** to the actuator **5** using the bolts **6** and the washers **7**.

Insert the assembly onto the butterfly valve's shaft **1** and push it as far as it will go.

Connect the resulting assembly together with the bolts **8** and the nuts **9**.

DN80 to DN100 valves

Attach the fixing bracket **2** to the actuator **5** using the bolts **6** and the washers **7**.

Put the coupling **3** onto the butterfly valve's shaft **1** and the drive adaptor sleeve **4** onto the coupling **3** if there is one.

Remove the bolts from the upper part of the valve **1**.

Place the actuator assembly **5** + the fixing bracket **2** onto the valve **1** and push it as far as it will go.

Connect the resulting assembly together with the bolts **8** and the nuts **9**.

You can refer to the following product data sheets for more technical information:

- **50840-LMODI**: Electric actuator 90° - IP66 (model **61527**)
- **50841-LMODI**: Fail-safe electric actuator 90° - IP66 (model **61528**)
- **50842-LMODI**: Electric actuator 90° with positioning unit - IP66 (model **61529**)

Product Compatibility

You can assemble the electric actuator ER+ with fixing bracket, **61527**, **61528** and **61529**, onto the following valve models:

Range 61 - SMS standard

Models **61310** - **61410** - **61510**: Butterfly valves with plain ends
Models **61312** - **61622** - **61632**: Butterfly valves with plain end/male end
Models **61313** - **61623** - **61624**: Butterfly valves with male ends
Models **61314** - **61351** - **61352**: Butterfly valves with plain end/female end + nut
Models **61315** - **61356** - **61357**: Butterfly valves with male end/female end + nut
Models **61358** - **61359** - **61360**: Butterfly valves with female ends + nuts

Range 62 - DIN standard

Models **62311** - **62630** - **62631**: Butterfly valves with plain ends
Models **62312** - **62622** - **62632**: Butterfly valves with plain end/male end
Models **62313** - **62623** - **62624**: Butterfly valves with male ends
Models **62314** - **62351** - **62352**: Butterfly valves with plain end/female end + nut
Models **62315** - **62356** - **62357**: Butterfly valves with male end/female end + nut
Models **62316** - **62358** - **62359**: Butterfly valves with female ends + nuts

Range 63 - CLAMP

Models **63451** - **63455** - **63456**: Butterfly valves with clamp ferrule ends
Models **63453** - **63457** - **63458**: Butterfly valves with plain end/clamp ferrule end

Range 64 - MACON

Models **64311** - **64331** - **64341**: Butterfly valves with plain ends
Models **64312** - **64332** - **64342**: Butterfly valves with plain end/male end
Models **64313** - **64333** - **64343**: Butterfly valves with male ends
Models **64315** - **64334** - **64344**: Butterfly valves with plain end/female end + nut
Models **64321** - **64335** - **64345**: Butterfly valves with male end/square flange

Please contact us if you want to order an actuator for assembly with any other valve.