

Butterfly valve accessories

Electric actuator VR with fixing bracket - IP68

Model 61531 without any options

Model 61532 Failsafe

Model 61533 Positioner



Specifications

Dimensions: for food and beverage industry butterfly valves DN25 to DN104

Supply voltage:

- 100V to 240V AC and 100V to 350V DC
- 15V to 30V AC and 12V to 48V DC

Ambient temperature: -20°C to +70°C

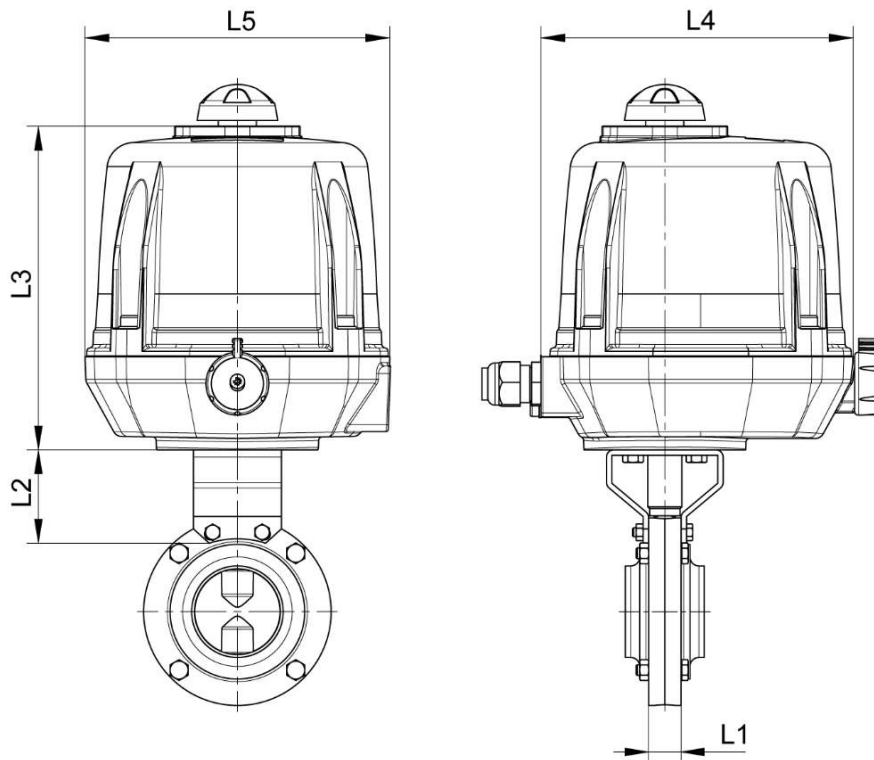
Actuator torque:

- DN25 to DN76 valves: 45 Nm
- DN80 to DN104 valves: 75 Nm

Material: Plastic actuator

304 stainless steel bracket and coupling

DN25 to DN76 valves

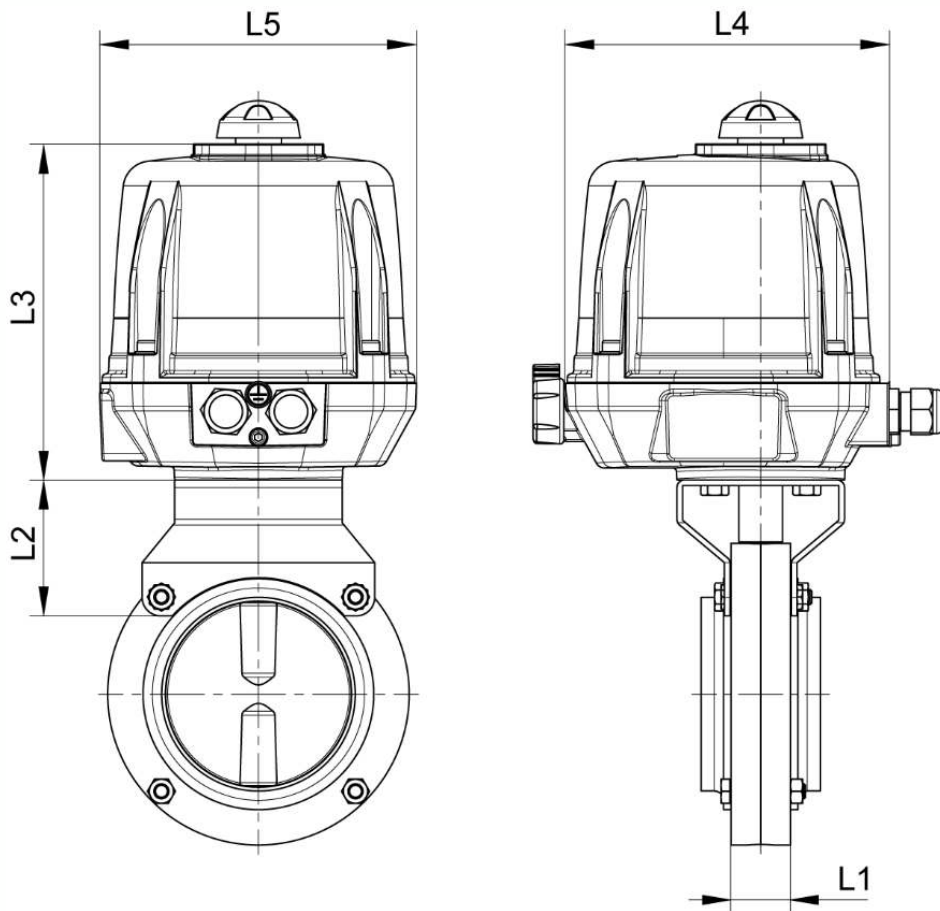


| Valve DN (mm) | Valve standard | L1 (mm) | L2 (mm) | L3 (mm) | L4 (mm) | L5 (mm) | Valve shaft (mm) |
|---------------|---------------------------|---------|---------|---------|---------|---------|------------------|
| 25 | SMS / DIN / CLAMP | 18 | 52 | 177 | 192 | 170 | 8 (flat side) |
| 32 / 38 / 40 | SMS / DIN / CLAMP / MACON | 18 | 52 | 177 | 192 | 170 | 8 (flat side) |
| 50 / 51 | SMS / DIN / CLAMP / MACON | 18 | 52 | 177 | 192 | 170 | 8 (flat side) |
| 60 / 63 | SMS / MACON | 18 | 52 | 177 | 192 | 170 | 8 (flat side) |
| 65 / 70 / 76 | SMS / DIN / CLAMP / MACON | 18 | 52 | 177 | 192 | 170 | 8 (flat side) |

Béné Inox – 11 chemin de la Pierre Blanche – 69800 SAINT-PRIEST – S.A.S with 240 000 € share capital – SIREN N° 311 810 287
 Tel. N°: +33 (0)4 78 90 48 22 – Fax N°: +33 (0)4 78 90 69 59 – www.bene-inox.com – bene@bene-inox.com

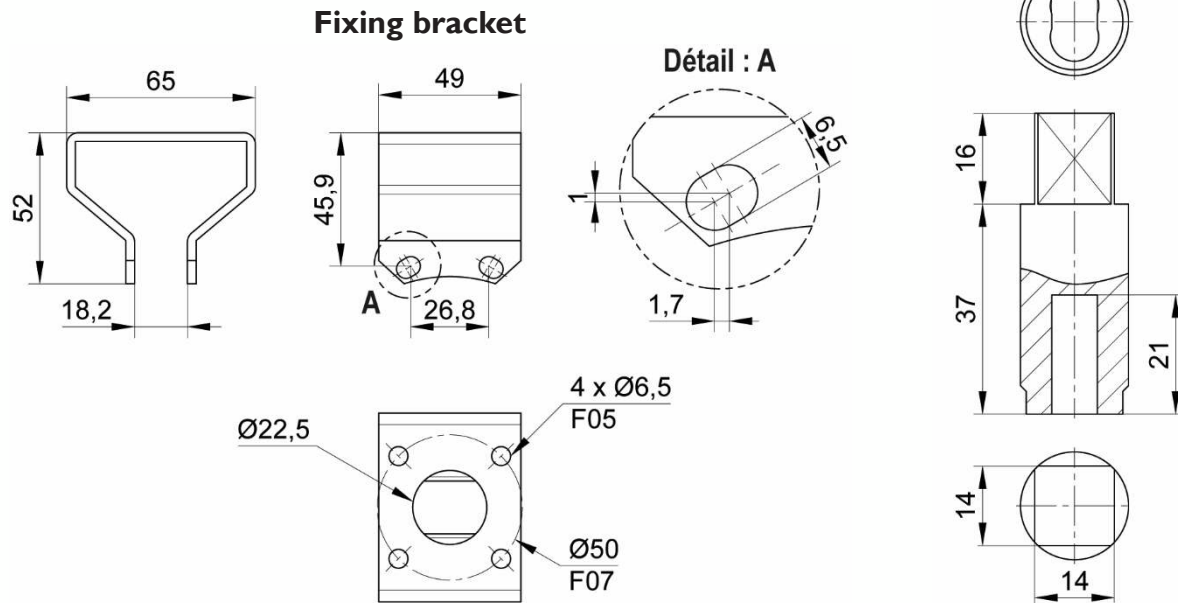
Technical information, illustrations and photographs are provided for information only, they are not contractual. Some may vary according to the tolerances accepted in the profession and the applicable standards. All instructions for use, disassembly and maintenance are recommendations only. These could also vary depending on product usage conditions, its installation environment and purchaser requirements – of which the purchaser alone is responsible for their definition.

DN80 to DNI04 valves

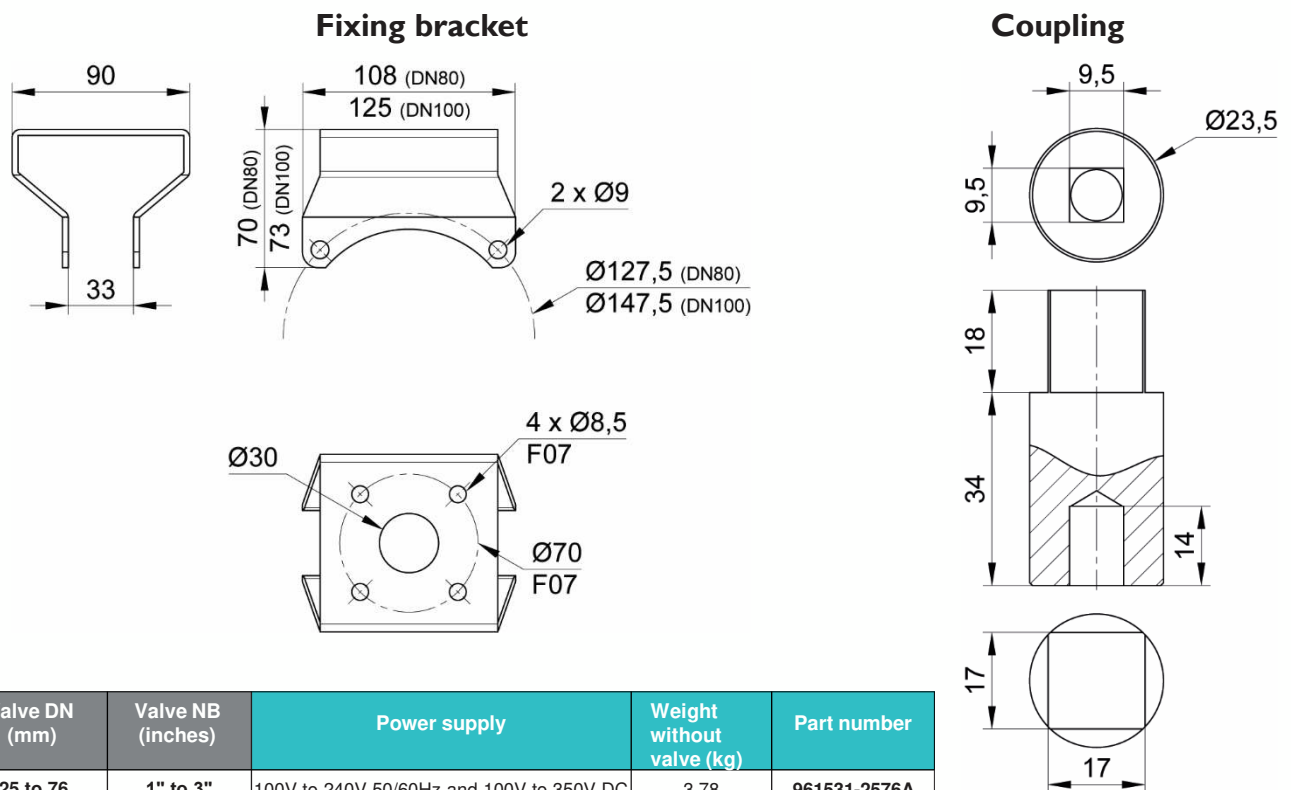


| Valve DN (mm) | Valve standard | L1 (mm) | L2 (mm) | L3 (mm) | L4 (mm) | L5 (mm) | Valve shaft (mm) |
|---------------|---------------------------|---------|---------|---------|---------|---------|--------------------|
| 80 | DIN | 32 | 70 | 177 | 192 | 170 | 9.5 x 9.5 (square) |
| 100 / 104 | SMS / DIN / CLAMP / MACON | 32 | 73 | 177 | 192 | 170 | 9.5 x 9.5 (square) |

DN25 to DN76 valves



DN80 to DN104 valves

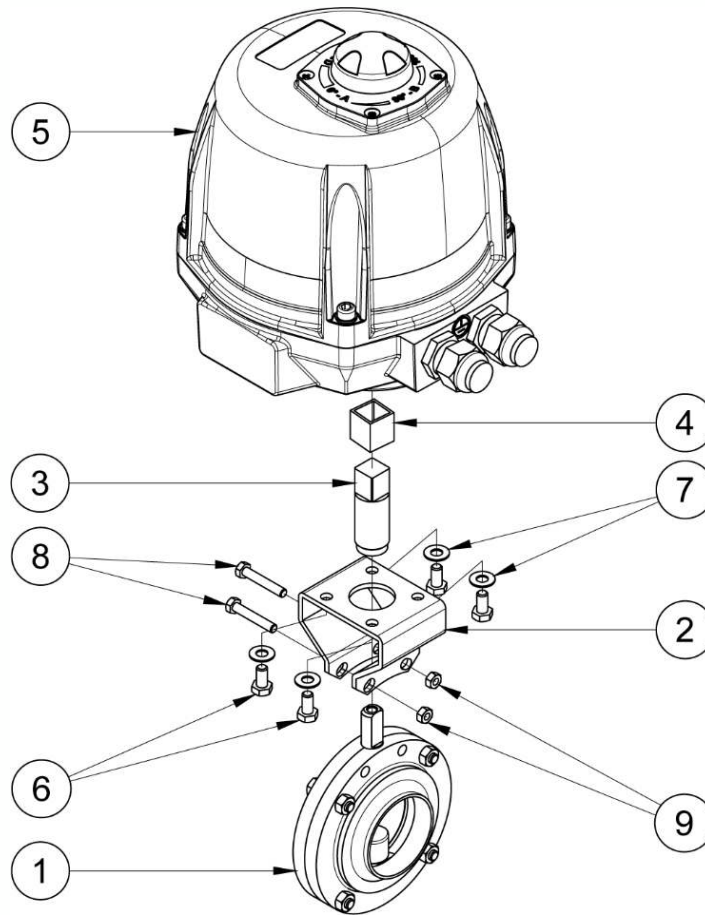


| Valve DN (mm) | Valve NB (inches) | Power supply | Weight without valve (kg) | Part number |
|---------------|-------------------|--|---------------------------|--------------|
| 25 to 76 | 1" to 3" | 100V to 240V 50/60Hz and 100V to 350V DC | 3.78 | 961531-2576A |
| 25 to 76 | 1" to 3" | 15V to 30V 50/60Hz and 12V to 48V DC | 3.78 | 961531-2576B |
| 80 | 3"1/2 | 100V to 240V 50/60Hz and 100V to 350V DC | 4.14 | 961531-80A |
| 80 | 3"1/2 | 15V to 30V 50/60Hz and 12V to 48V DC | 4.14 | 961531-80B |
| 100 and 104 | 4" | 100V to 240V 50/60Hz and 100V to 350V DC | 4.18 | 961531-104A |
| 100 and 104 | 4" | 15V to 30V 50/60Hz and 12V to 48V DC | 4.18 | 961531-104B |

Béné Inox – 11 chemin de la Pierre Blanche – 69800 SAINT-PRIEST – S.A.S with 240 000 € share capital – SIREN N° 311 810 287
Tel. N°: +33 (0)4 78 90 48 22 – Fax N°: +33 (0)4 78 90 69 59 – www.bene-inox.com – bene@bene-inox.com

Technical information, illustrations and photographs are provided for information only, they are not contractual. Some may vary according to the tolerances accepted in the profession and the applicable standards. All instructions for use, disassembly and maintenance are recommendations only. These could also vary depending on product usage conditions, its installation environment and purchaser requirements – of which the purchaser alone is responsible for their definition.

DN25 to DN76 valves

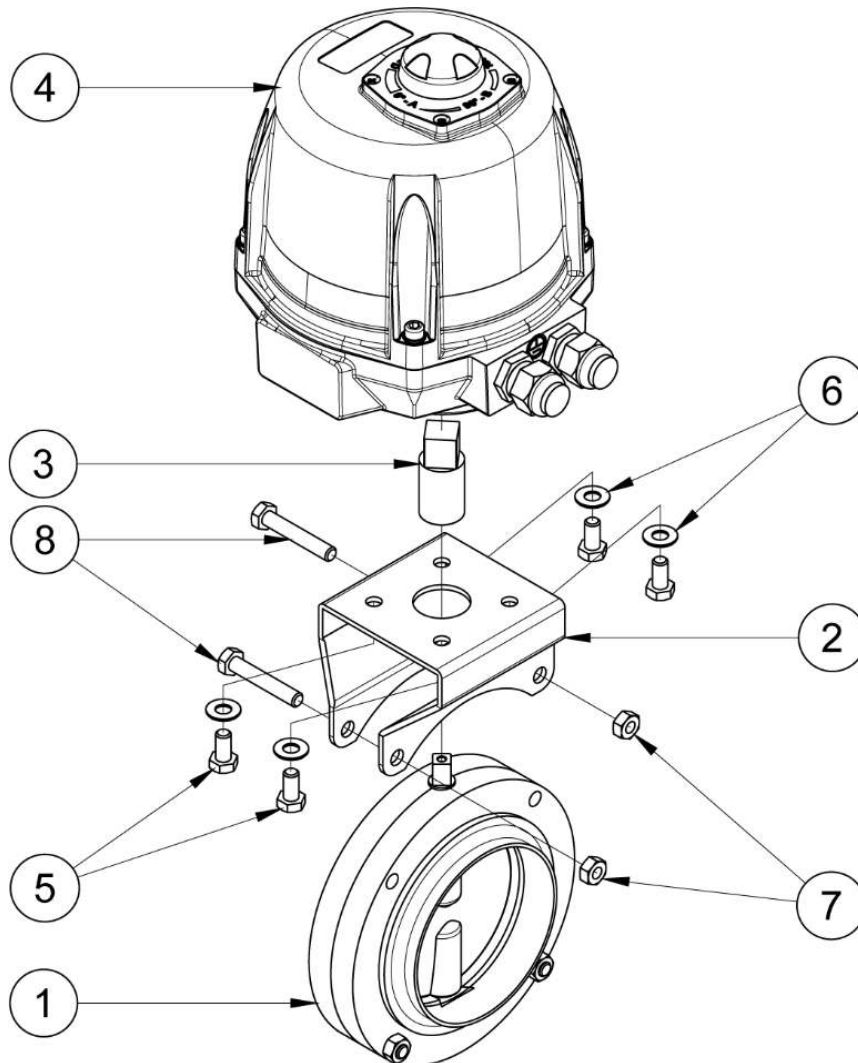


| N° | Part Name | Material | Quantity |
|----|--------------------------------|---------------------------|----------|
| 1 | BUTTERFLY VALVE | STAINLESS STEEL/ELASTOMER | 1 |
| 2 | FIXING BRACKET | 304 STAINLESS STEEL | 1 |
| 3 | COUPLING | 304 STAINLESS STEEL | 1 |
| 4 | DRIVE ADAPTER SLEEVE | STAINLESS STEEL | 1 |
| 5 | ACTUATOR | PLASTIC | 1 |
| 6 | FIXING BOLT (BRACKET/ACTUATOR) | A2 STAINLESS STEEL | 4 |
| 7 | WASHER (BRACKET/ACTUATOR) | A2 STAINLESS STEEL | 4 |
| 8 | FIXING BOLT (BRACKET/VALVE) | A2 STAINLESS STEEL | 2 |
| 9 | NUTS (BRACKET/VALVE) | A2 STAINLESS STEEL | 2 |

Béné Inox – 11 chemin de la Pierre Blanche – 69800 SAINT-PRIEST – S.A.S with 240 000 € share capital – SIREN N° 311 810 287
 Tel. N°: +33 (0)4 78 90 48 22 – Fax N°: +33 (0)4 78 90 69 59 – www.bene-inox.com – bene@bene-inox.com

Technical information, illustrations and photographs are provided for information only, they are not contractual. Some may vary according to the tolerances accepted in the profession and the applicable standards. All instructions for use, disassembly and maintenance are recommendations only. These could also vary depending on product usage conditions, its installation environment and purchaser requirements – of which the purchaser alone is responsible for their definition.

DN80 to DNI04 valves



| N° | Part Name | Material | Quantity |
|----|--------------------------------|------------------------------|----------|
| 1 | BUTTERFLY VALVE | STAINLESS STEEL/ELASTOMER | 1 |
| 2 | FIXING BRACKET | 304 STAINLESS STEEL | 1 |
| 3 | COUPLING | 304 STAINLESS STEEL | 1 |
| 4 | ACTUATOR | PLASTIC | 1 |
| 5 | FIXING BOLT (BRACKET/ACTUATOR) | A2 STAINLESS STEEL | 4 |
| 6 | WASHER (BRACKET/ACTUATOR) | A2 STAINLESS STEEL | 4 |
| 7 | NUT (BRACKET/VALVE) | A2 STAINLESS STEEL | 2 |
| 8 | FIXING BOLT (BRACKET/VALVE) | A2 STAINLESS STEEL | 2 |

Béné Inox – 11 chemin de la Pierre Blanche – 69800 SAINT-PRIEST – S.A.S with 240 000 € share capital – SIREN N° 311 810 287
Tel. N°: +33 (0)4 78 90 48 22 – Fax N°: +33 (0)4 78 90 69 59 – www.bene-inox.com – bene@bene-inox.com

Technical information, illustrations and photographs are provided for information only, they are not contractual. Some may vary according to the tolerances accepted in the profession and the applicable standards. All instructions for use, disassembly and maintenance are recommendations only. These could also vary depending on product usage conditions, its installation environment and purchaser requirements – of which the purchaser alone is responsible for their definition.

Assembly and maintenance instructions

Installation

It is best to install the actuator vertically with the actuator above the valve, or horizontally. Do not install the actuator below the valve.

Check that there is enough space to install the actuator and to carry out maintenance operations where you are planning to install it.

Maintenance

The actuator does not require any specific maintenance if it is used under normal operating conditions.

If the actuator is never opened or closed during normal operation then you should regularly open and close the actuator to check that it is still working correctly.

Assembly / Disassembly

The maintenance and removal/installation of the actuator must be carried out by personnel who are qualified and trained for this type of intervention.



Warning: Before you work on the actuator, check that its electrical supply has been correctly turned off.

Warning: If the actuator is used at a temperature above 60°C then people could burn themselves if they touch it.

Warning: Beware of hazardous materials - follow the instructions provided by the suppliers.

DN25 to DN76 valves

Put the drive adaptor sleeve **4** onto the coupling **3**.

Insert the coupling **3** into the actuator drive **5**, check that you put the flat sections in the right way.

Attach the fixing bracket **2** to the actuator **5** using the bolts **6** and the washers **7**.

Place the assembly onto the butterfly valve's shaft **1** and push it as far as it will go.

Connect the resulting assembly together with the bolts **8** and the nuts **9**.

DN80 to DN104 valves

Attach the fixing bracket **2** to the actuator **4** using the bolts **5** and the washers **6**.

Place the coupling **3** onto the butterfly valve's shaft **1**.

Remove the bolts on the upper part of the valve **1**.

Place the actuator assembly **4** + the fixing bracket **2** onto the valve **1** and push it as far as it will go.

Connect the resulting assembly together with the bolts **8** and the nuts **7**.

You can refer to the following product data sheets for more technical information:

- **50844-LMODI**: Electric actuator 90° - IP68 (model **61531**)
- **50845-LMODI**: Fail-safe electric actuator 90° - IP68 (model **61532**)
- **50846-LMODI**: Electric actuator 90° with positioning unit - IP68 (model **61533**)

Product Compatibility

You can assemble the electric actuator VR with fixing bracket, **61531**, **61532** and **61533**, onto the following valve models:

Range 61 - SMS standard

Models **61310** - **61410** - **61510**: Butterfly valves with plain ends

Models **61312** - **61622** - **61632**: Butterfly valves with plain end/male end

Models **61313** - **61623** - **61624**: Butterfly valves with male ends

Models **61314** - **61351** - **61352**: Butterfly valves with plain end/female end + nut

Models **61315** - **61356** - **61357**: Butterfly valves with male end/female end + nut

Models **61358** - **61359** - **61360**: Butterfly valves with female ends + nuts

Range 62 - DIN standard

Models **62311** - **62630** - **62631**: Butterfly valves with plain ends

Models **62312** - **62622** - **62632**: Butterfly valves with plain end/male end

Models **62313** - **62623** - **62624**: Butterfly valves with male ends

Models **62314** - **62351** - **62352**: Butterfly valves with plain end/female end + nut

Models **62315** - **62356** - **62357**: Butterfly valves with male end/female end + nut

Models **62316** - **62358** - **62359**: Butterfly valves with female ends + nuts

Range 63 - CLAMP

Models **63451** - **63455** - **63456**: Butterfly valves with clamp ferrule ends

Models **63453** - **63457** - **63458**: Butterfly valves with plain end/clamp ferrule end

Range 64 - MACON

Models **64311** - **64331** - **64341**: Butterfly valves with plain ends

Models **64312** - **64332** - **64342**: Butterfly valves with plain end/male end

Models **64313** - **64333** - **64343**: Butterfly valves with male ends

Models **64315** - **64334** - **64344**: Butterfly valves with plain end/female end + nut

Models **64321** - **64335** - **64345**: Butterfly valves with male end/square flange

Please contact us if you want to order an actuator for assembly with any other valve.