

# DIN valves and accessories

## Model 62422 In-line sight flow indicator, male end/ female end + nut - 316L stainless steel



### Specifications

**Dimensions:** DN25 to DN100

**Connections:** DIN male and female thread in accordance with DIN 405

**Operating pressure:** 14 bar up to DN25  
10 bar from DN40 to DN65  
8 bar from DN80 to 100

**Max. temperature:** +130°C

**Material:** 316L stainless steel  
EPDM gaskets  
Pyrex® Glass

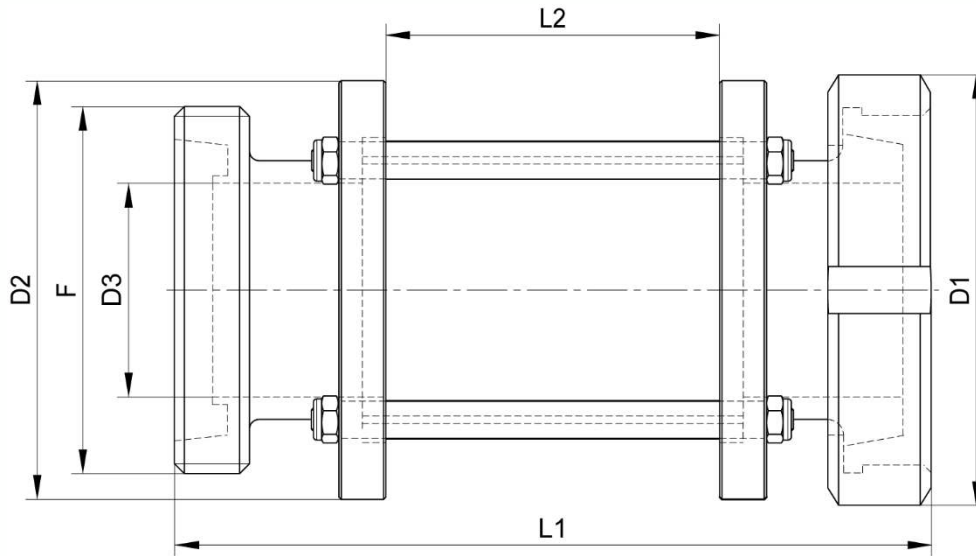
On request: FKM gaskets



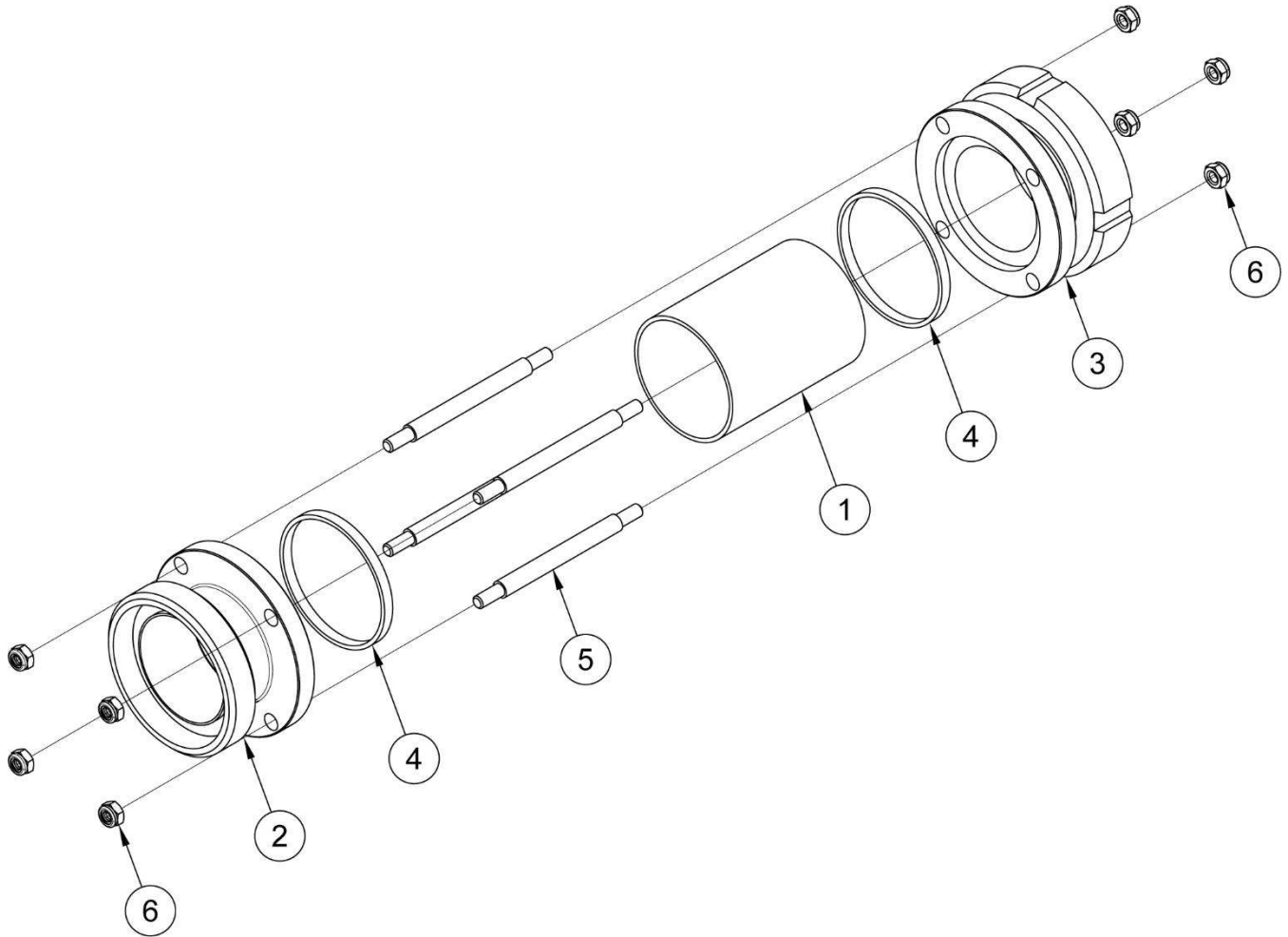
**Béné Inox** – 11 chemin de la Pierre Blanche – 69800 SAINT-PRIEST – S.A.S with 240 000 € share capital – SIREN N° 311 810 287  
Tel. N°: +33 (0)4 78 90 48 22 – Fax N°: +33 (0)4 78 90 69 59 – [www.bene-inox.com](http://www.bene-inox.com) – [bene@bene-inox.com](mailto:bene@bene-inox.com)

Technical information, illustrations and photographs are provided for information only, they are not contractual. Some may vary according to the tolerances accepted in the profession and the applicable standards. All instructions for use, disassembly and maintenance are recommendations only. These could also vary depending on product usage conditions, its installation environment and purchaser requirements – of which the purchaser alone is responsible for their definition.

62422-B V1124



DN (mm)	D1 (mm)	D2 (mm)	D3 (mm)	F (inches)	L1 (mm)	L2 (mm)	Weight (kg)	Part number SS 316L
25	63	64	24	52 x 1/6"	137	70	0.88	662422-25
32	70	69	32	58 x 1/6"	143	70	1.03	662422-32
40	78	79	38	65 x 1/6"	156	80	1.22	662422-40
50	92	89	50	78 x 1/6"	159	80	1.60	662422-50
65	112	109	65	95 x 1/6"	211	120	2.37	662422-65
80	127	124	80	110 x 1/4"	221	120	2.99	662422-80
100	148	149	98	130 x 1/4"	234	120	5.21	662422-100



N°	Part Name	Material
1	GLASS	PYREX®
2	MALE END FLANGE	AISI 316L
3	FEMALE END FLANGE	AISI 316L
4	GASKET	EPDM*
5	SPACER	AISI 304
6	LOCK NUT	AISI 304

\*FKM gaskets on request

## Assembly and maintenance instructions

You can use the in-line sight flow indicator to visually check fluid is present in piping.

### Installation

You can install the indicator in any position.

Before assembly, clean the installation and check that the equipment is clean and free from foreign bodies that could damage the indicator.

Check that all piping is perfectly aligned and that the piping support structure is dimensioned so that the indicator is not subject to any external stresses.

The piping support structure must only support the pipes, not the indicator.

#### In-line sight flow indicator installation:

Use a gasket that is suitable for the working conditions to make sure the in-line sight flow indicator's threaded connections are sealed correctly.

Pressure test the installation according to the relevant standards (e.g. EN 12266-1), but do not exceed the in-line sight flow indicator's specifications.

### Maintenance

The in-line sight flow indicator does not require any specific maintenance if it is used in normal operating conditions.

You may need to change some of the in-line sight flow indicator's parts due to unusual wear and tear, or if a fluid has damaged the valve and caused a leak or malfunction.

If this is the case see the "Assembly / Disassembly" section below.

### Assembly / Disassembly

*The maintenance and removal/installation of the indicator must be carried out by personnel who are qualified and trained for this type of intervention.*



Warning: Before you work on the in-line sight flow indicator, check that the installation has been stopped and that the piping is empty and is not pressurised.

Warning: If the in-line sight flow indicator is used with fluids that have a temperature above 60°C then people could burn themselves if they touch it.

Warning: Beware of hazardous materials - follow the instructions provided by the suppliers.

Remove the 4 lock nuts **6** on one side of the indicator.

Remove the end flange **2** or **3** with its gasket **4**, then carefully remove the Pyrex® glass **1**.

Remove the 4 lock nuts **6** holding the other end flange (**2** or **3**) and move the 4 spacers **5** out of the way. Remove the worn gaskets **4** from the end flanges **2** and **3** and replace them if necessary.

Follow the disassembly steps in reverse to reassemble the in-line sight flow indicator.

Check that the assembly is not leaking before you put the installation back into service.

### In-line sight flow indicator accessories

Here is a list of all of our in-line sight flow indicator accessories, as well as a table that shows the corresponding accessory part numbers for each DN.

Model **62424** (part n° **1**): Replacement Pyrex® glass

Model **62425**: Protective grid for an in-line sight flow indicator - 304 stainless steel

DN (mm)	Part number Replacement glass	Part number Protective grid
25	962424-25	262425-25
32	962424-38	262425-32
40	962424-40	262425-40
50	962424-50	262425-50
65	962424-65	262425-65
80	962424-80	262425-80
100	962424-100	262425-100

You can order replacement gaskets for the in-line sight flow indicator on request.

### Standards and compliance

- This in-line sight flow indicator complies with European Pressure Equipment Directive (PED) 2014/68/EU Article 4 paragraph 3 (formerly 97/23/EC Article 3 paragraph 3).
- This in-line sight flow complies with EC Directive 1935/2004.