

# Pressure measurement

## Model **7323** Empty stainless steel pressure gauge with one-piece diaphragm seal separator **316L stainless steel**

Lower mount 316L stainless steel male BSPP vertical connection



### Specifications

**Connection:** complies with EN 837-3 male G 1/4" or G 1/2" according to ISO 228-1

**Ambient temperature:** -20°C to +40°C

**Max. fluid temperature:** +200°C

**Pressure range:** -1/0 to 0/60 bar (PNI60)

**Accuracy:** class 1.6 for Ø63

and class I for Ø100 according to EN 837

**Material:** AISI 304 housing

Diaphragm seal and separator in AISI 316L

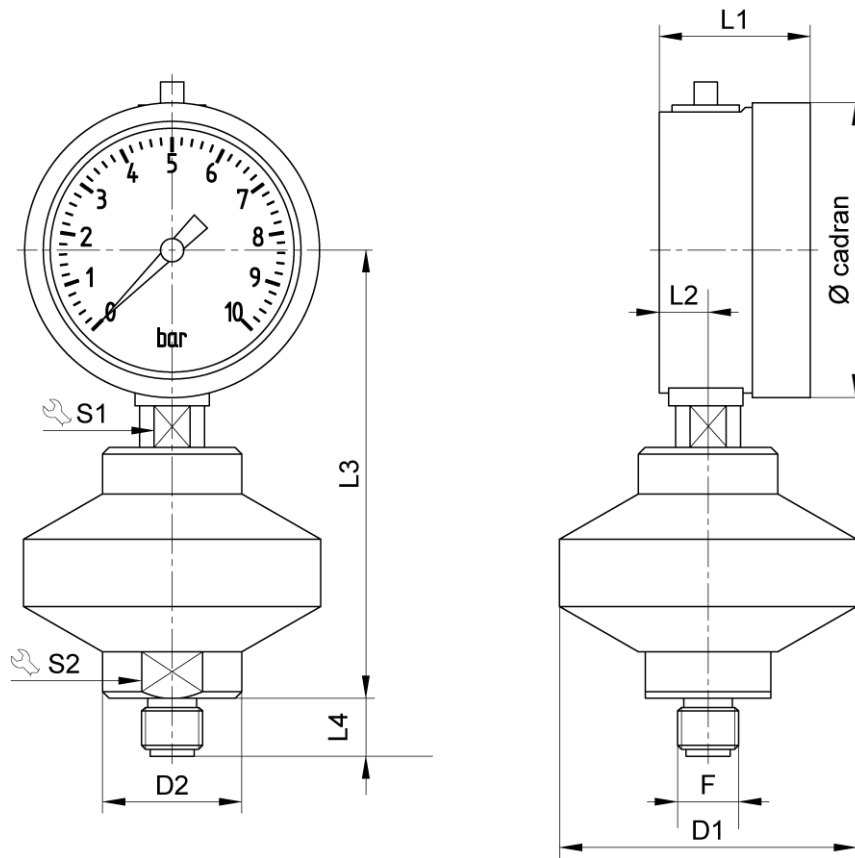
**Protection rating:** IP65



**Béné Inox** – 11 chemin de la Pierre Blanche – 69800 SAINT-PRIEST – S.A.S with 240 000 € share capital – SIREN N° 311 810 287  
Tel. N°: +33 (0)4 78 90 48 22 – Fax N°: +33 (0)4 78 90 69 59 – [www.bene-inox.com](http://www.bene-inox.com) – [bene@bene-inox.com](mailto:bene@bene-inox.com)

Technical information, illustrations and photographs are provided for information only, they are not contractual. Some may vary according to the tolerances accepted in the profession and the applicable standards. All instructions for use, disassembly and maintenance are recommendations only. These could also vary depending on product usage conditions, its installation environment and purchaser requirements – of which the purchaser alone is responsible for their definition.

7323-B VI124



Dial Ø (mm)	D1 (mm)	D2 (mm)	F (mm)	L1 (mm)	L2 (mm)	L3 (mm)	L4 (mm)	S1 (mm)	S2 (mm)
63	64	30	G 1/4"	33	9.5	107.5	13	14	27
100	64	30	G 1/2"	49.5	15.5	141	20	22	27

Pressure (bar)	Part number Ø63	Part number Ø100
-1 / 0	273232-0	273233-0
-1 / 3	273232-3	273233-3
-1 / 5	273232-5	273233-5
-1 / 9	273232-9	273233-9
0 / 2.5	273232-2	273233-2
0 / 4	273232-4	273233-4
0 / 6	273232-6	273233-6
0 / 10	273232-10	273233-10
0 / 16	273232-16	273233-16
0 / 25	273232-25	273233-25
0 / 40	273232-40	273233-40
0 / 60	273232-60	273233-60

You can order from the Wika range for these models if you add a W to the end of the part number (e.g. 273232-10W).

**Béné Inox** – 11 chemin de la Pierre Blanche – 69800 SAINT-PRIEST – S.A.S with 240 000 € share capital – SIREN N° 311 810 287  
Tel. N°: +33 (0)4 78 90 48 22 – Fax N°: +33 (0)4 78 90 69 59 – [www.bene-inox.com](http://www.bene-inox.com) – [bene@bene-inox.com](mailto:bene@bene-inox.com)

Technical information, illustrations and photographs are provided for information only, they are not contractual. Some may vary according to the tolerances accepted in the profession and the applicable standards. All instructions for use, disassembly and maintenance are recommendations only. These could also vary depending on product usage conditions, its installation environment and purchaser requirements – of which the purchaser alone is responsible for their definition.

## Use

### Description

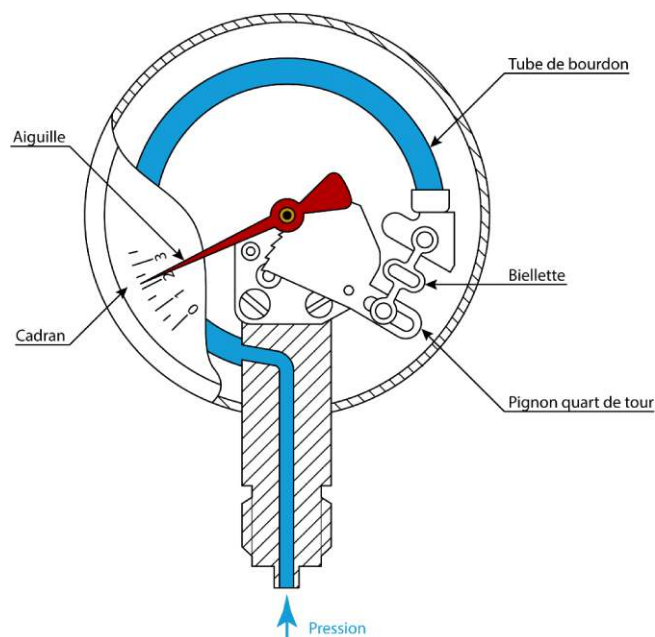
A Bourdon tube pressure gauge works through the movement of the free end of the tube in response to the measured pressure.

When the pressure increases, the tube unwinds and when the pressure decreases the tube winds up around itself.

The free end of the tube is linked to a needle through a mechanical system that converts the tube's movement into needle rotation.

The pressure gauge includes a graduated dial so that the needle points to the measured pressure.

The diaphragm, assembled by direct welding, allows the measurement instrument to be kept separate from the fluid it is measuring. Pressure is transferred to the measurement instrument through the transmission liquid. The separator should be filled with KN 59 oil.



### Fluids

Bourdon tube pressure gauges assembled on a separator can be used for aggressive, adhesive, crystallising, corrosive, highly viscous or toxic fluids.

You must check the fluid is compatible with 316L stainless steel.

You can fill the case with glycerine to make sure the gauge is easy to read for applications with very dynamic pressure cycles or vibrations (we can fill the gauge on request).

### Installation

Make sure that you do not disassemble the gauge's dial from its diaphragm separator part when you assemble and disassemble the pressure gauge onto pipes.

Only use tools on the flat part, above the threading noted S2 on the diagram, to avoid this.

## Accessories

Here is a list of all of our pressure gauge accessories:

- The pressure gauge can be isolated if you install it on a cock to facilitate maintenance and so that you do not need to purge the piping if you need to carry out maintenance on the measuring instrument.
  - Model **7388**: Pressure gauge cock - with 316 Ti stainless steel valve body and needle (including bleed screw)
  - Model **7389**: Pressure gauge valve - Brass
  - Model **7377**: Pressure gauge valve - 316 Ti stainless steel
- If you need to cool the fluid, when the fluid temperature is higher than the pressure gauge's temperature range:
  - Model **7346**: Trumpet form siphon - 316 stainless steel
  - Model **7347**: U-form siphon - 316 Ti stainless steel
  - Model **7348**: High pressure straight siphon - 316 Ti stainless steel
  - Model **7304**: Cooling fin - 316 stainless steel
- If you need to protect the pressure gauge from excess pressure:
  - Model **7349**: Pressure limiter - 316 stainless steel
  - Model **7350**: Pressure damper - 316 stainless steel
- Model **7312**: Pressure gauge options:
  - Front or back skirt (axial and vertical)
  - Back fixing bracket (axial)
  - COFRAC calibration certificate

The skirts and brackets cannot be used with the Wika range.
- Model **7305**: Pressure gauge gasket