

Pressure measurement

Model 7326

Empty stainless steel capsule pressure gauge for low pressure - 400 mbar

Lower mount 316L stainless steel male BSPP vertical connection



Specifications

Connection: complies with EN 837-3 male G 1/2" according to ISO 228-1

Temperature range: -25°C to +65°C

Pressure range: 0 to 400 mbar

Accuracy: class 1.6 according to EN 837

Material: AISI 304 housing

AISI 316L stainless steel connector

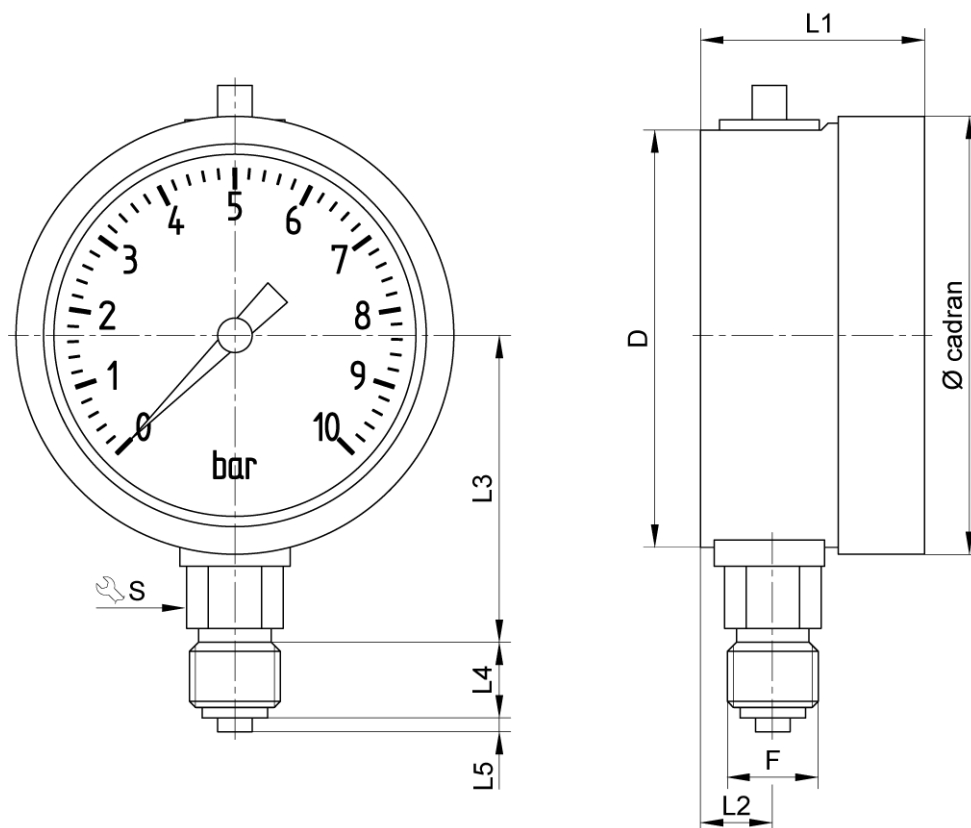
Protection rating: IP65



Béné Inox – 11 chemin de la Pierre Blanche – 69800 SAINT-PRIEST – S.A.S with 240 000 € share capital – SIREN N° 311 810 287
Tel. N°: +33 (0)4 78 90 48 22 – Fax N°: +33 (0)4 78 90 69 59 – www.bene-inox.com – bene@bene-inox.com

Technical information, illustrations and photographs are provided for information only, they are not contractual. Some may vary according to the tolerances accepted in the profession and the applicable standards. All instructions for use, disassembly and maintenance are recommendations only. These could also vary depending on product usage conditions, its installation environment and purchaser requirements – of which the purchaser alone is responsible for their definition.

7326-A V0521



Dial Ø (mm)	D (mm)	F (mm)	L1 (mm)	L2 (mm)	L3 (mm)	L4 (mm)	L5 (mm)	S (mm)
100	100	G 1/2"	47.5	11.9	63	20	3	22

Pressure (mbar)	Part number Ø100
0 / 40	273261-40
0 / 60	273261-60
0 / 100	273261-100
0 / 160	273261-160
0 / 250	273261-250
0 / 400	273261-400

Use

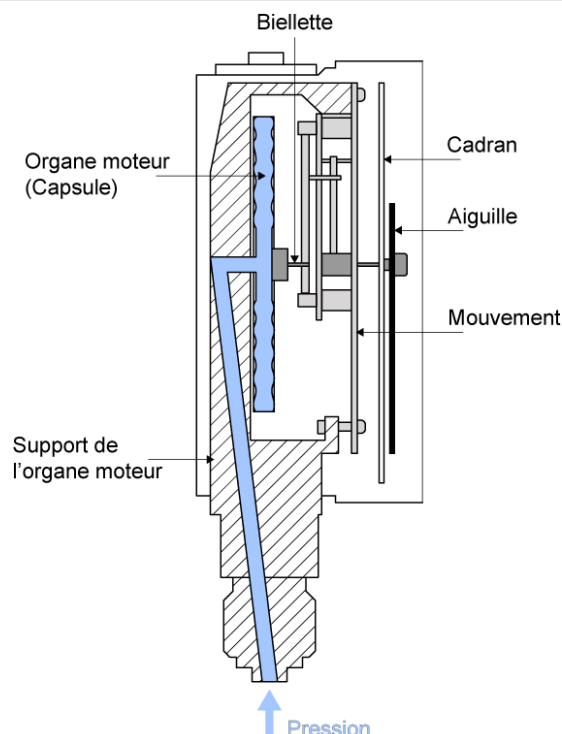
Description

A capsule pressure gauge works through the deformation of the capsule in response to a measured pressure.

The capsule is made up of two circular crimped diaphragms that are assembled together by welding so that they are watertight. The AISI 316 capsule is directly linked to the fluid by a stainless steel tube.

When the pressure increases, the two parts of the capsule curve. A mechanical system converts this proportional movement into a movement which rotates a needle.

The pressure gauge includes a graduated dial so that the needle points to the measured pressure.



Fluids

Capsule pressure gauges can be used for gaseous, dry and non-aggressive fluids.

You must check the fluid is compatible with AISI 316 and 316L stainless steel.

Accessories

Here is a list of all of our pressure gauge accessories:

- The pressure gauge can be isolated if you install it on a cock to facilitate maintenance and so that you do not need to purge the piping if you need to carry out maintenance on the measuring instrument.
 - Model **7388**: Pressure gauge cock - with 316 Ti stainless steel valve body and needle (including bleed screw)
 - Model **7389**: Pressure gauge valve - Brass
 - Model **7377**: Pressure gauge valve - 316 Ti stainless steel
- If you need to cool the fluid, when the fluid temperature is higher than the pressure gauge's temperature range:
 - Model **7346**: Trumpet form siphon - 316 stainless steel
 - Model **7347**: U-form siphon - 316 Ti stainless steel
 - Model **7348**: High pressure straight siphon - 316 Ti stainless steel
 - Model **7304**: Cooling fin - 316 stainless steel

- If you need to protect the pressure gauge from excess pressure:
 - Model **7349**: Pressure limiter - 316 stainless steel
 - Model **7350**: Pressure damper - 316 stainless steel

- Model **7312**: Pressure gauge options:
 - Front or back skirt (axial and vertical)
 - Back fixing bracket (axial)
 - COFRAC calibration certificate

- Model **7305**: Pressure gauge gasket