

Pressure measurement

Model **7330** **Differential pressure gauge
(with or without separating filter)**
Female BSP 1.4571 stainless steel connectors



Specifications

Connection: complies with EN 837-1 female G 1/4" according to ISO 228-1

Operating temperature: 0°C to +60°C

Max. fluid temperature: +100°C

Pressure range: 0 to 10 bar without a separating filter and 0 to 2.5 bar with a separating filter

Accuracy: class 3 without a separating filter and class 5 with a separating filter according to EN 837

Material: elements in contact with the fluid: 1.4571 (316 Ti) chambers and connectors

- without a separating filter: 1.4310 (301) spring and hard ferrite magnet

- with a separating filter: NBR diaphragm

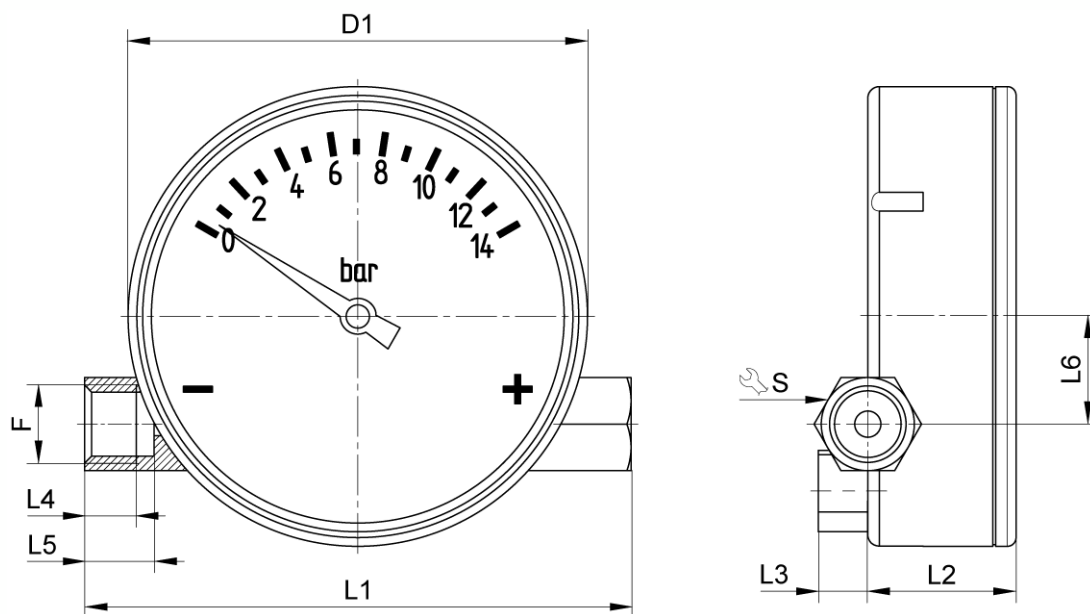
Protection rating: IP54



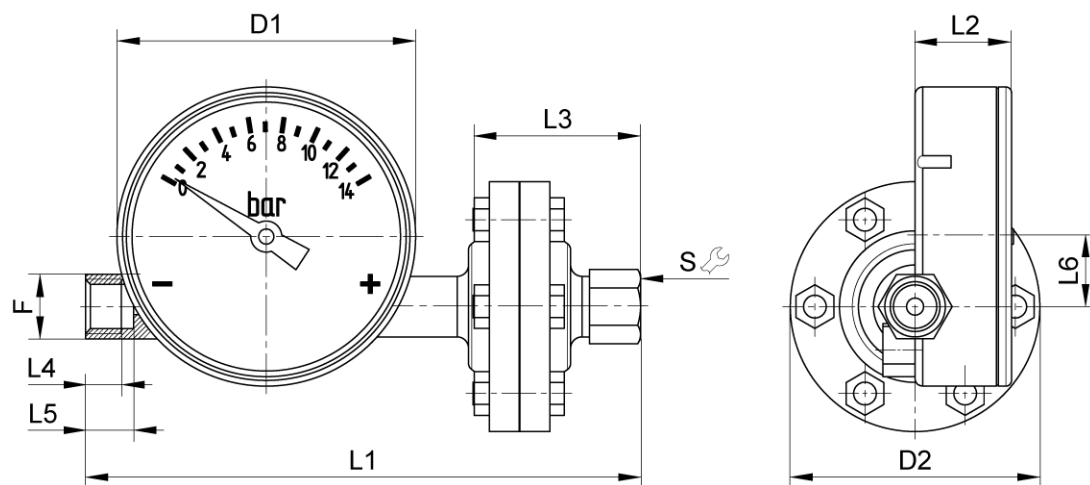
Béné Inox – 11 chemin de la Pierre Blanche – 69800 SAINT-PRIEST – S.A.S with 240 000 € share capital – SIREN N° 311 810 287
Tel. N°: +33 (0)4 78 90 48 22 – Fax N°: +33 (0)4 78 90 69 59 – www.bene-inox.com – bene@bene-inox.com

Technical information, illustrations and photographs are provided for information only, they are not contractual. Some may vary according to the tolerances accepted in the profession and the applicable standards. All instructions for use, disassembly and maintenance are recommendations only. These could also vary depending on product usage conditions, its installation environment and purchaser requirements – of which the purchaser alone is responsible for their definition.

A



B



	Dial Ø (mm)	D1 (mm)	D2 (mm)	F (mm)	L1 (mm)	L2 (mm)	L3 (mm)	L4 (mm)	L5 (mm)	L6 (mm)	S (mm)
A Without separator	80	79	-	G 1/4"	94	25	8	9.5	13	18.5	17
B With separator	80	79	66	G 1/4"	146	25	45.5	9.5	13	18.5	17

A Without a separator

Pressure (bar)	Max. operating pressure (bar)	Part number Ø80
0 / 0.4	100	473301-04
0 / 0.6	100	473301-06
0 / 1	100	473301-1
0 / 2.5	100	473301-2
0 / 4	100	473301-4
0 / 6	100	473301-6
0 / 10	100	473301-10

B With a separator

Pressure (bar)	Max. operating pressure (bar)	Part number Ø80
0 / 0.16	50	473302-01
0 / 0.25	50	473302-02
0 / 0.4	100	473302-04
0 / 0.6	100	473302-06
0 / 1	100	473302-1
0 / 2.5	100	473302-2

Use

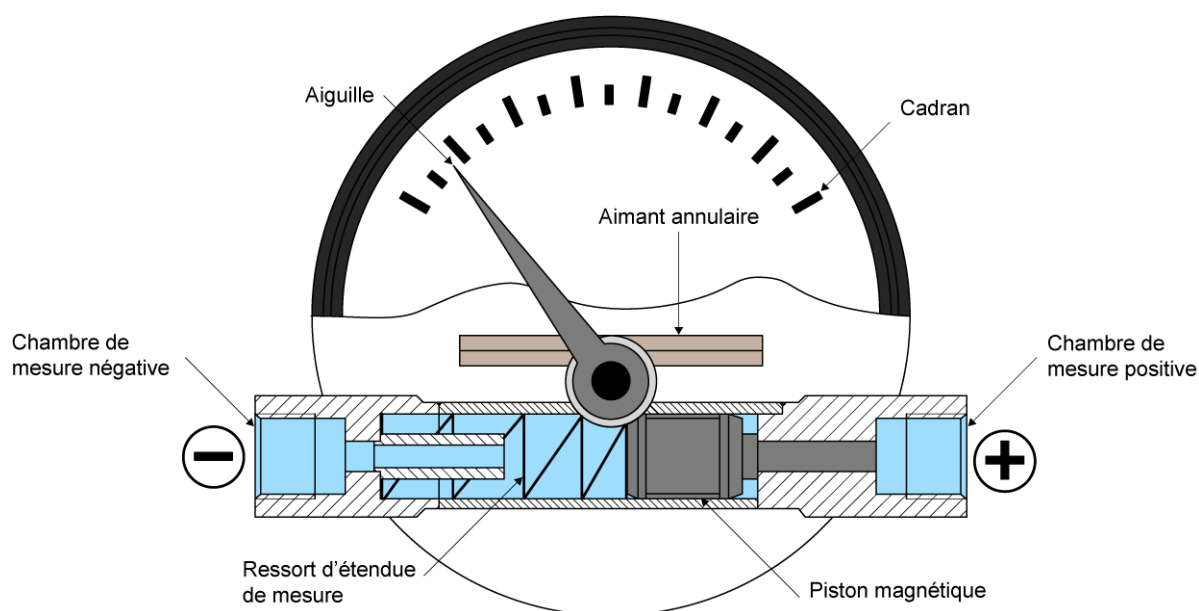
Description

A differential pressure gauge measures the difference between two pressures through the movement of a measuring element. If the two pressures are the same then the element will not move and no differential pressure will be shown on the gauge.

The measuring chambers are separated by a pressurised magnetic piston which is constrained by the measuring range spring.

The pressure difference between the lower pressure, referred to as the “negative pressure”, and the higher pressure, referred to as the “positive pressure”, leads to the axial movement of the piston. A magnet ring installed on the needle follows the magnet integrated in the piston. Each piston position corresponds to a specific needle position.

The pressure gauge includes a graduated dial so that the needle points to the measured differential pressure.



Fluids

Differential pressure gauges can be used with gaseous fluids and aggressive, non-viscous and non-crystallising liquids. For fluids containing suspended solids or liquid fluids it would be better to use a pressure gauge with a separating diaphragm (model B).

N.B. It is important to check that the different measuring elements and connectors are compatible and whether the pressure gauge comes with or without a separator.

Accessories

Here is a list of all of our pressure gauge accessories:

- The pressure gauge can be isolated if you install it on a cock to facilitate maintenance and so that you do not need to purge the piping if you need to carry out maintenance on the measuring instrument.
 - Model **7388**: Pressure gauge cock - with 316 Ti stainless steel valve body and needle (including bleed screw)
 - Model **7389**: Pressure gauge valve - Brass
 - Model **7377**: Pressure gauge valve - 316 Ti stainless steel
- If you need to cool the fluid, when the fluid temperature is higher than the pressure gauge's temperature range:
 - Model **7346**: Trumpet form siphon - 316 stainless steel
 - Model **7347**: U-form siphon - 316 Ti stainless steel
 - Model **7348**: High pressure straight siphon - 316 Ti stainless steel
 - Model **7304**: Cooling fin - 316 stainless steel
- If you need to protect the pressure gauge from excess pressure:
 - Model **7349**: Pressure limiter - 316 stainless steel
 - Model **7350**: Pressure damper - 316 stainless steel
- Model **7312**: Pressure gauge options:
 - Front skirt (for assembly on a panel)
 - COFRAC calibration certificate
- Model **7305**: Pressure gauge gasket