

# Pressure measurement

## Model 7347 Left bend U-form siphon 316 Ti stainless steel



### Specifications

**Max. allowable temperature:** up to +400°C

**Operating pressure:** PNI00

**Connection:**

Male threaded inlet and female threaded outlet: G1/2"  
according to EN 837-1

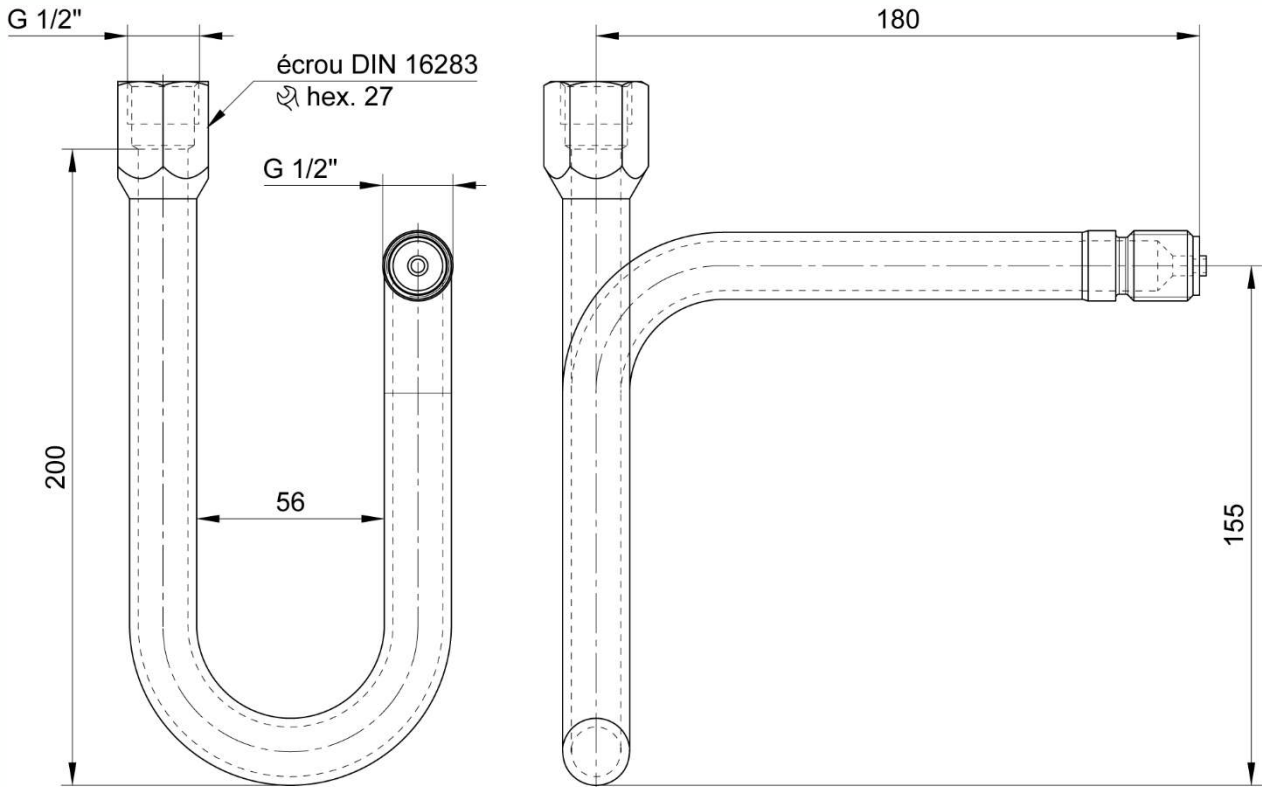
**Material:** 316Ti stainless steel



**Béné Inox** – 11 chemin de la Pierre Blanche – 69800 SAINT-PRIEST – S.A.S with 240 000 € share capital – SIREN N° 311 810 287  
Tel. N°: +33 (0)4 78 90 48 22 – Fax N°: +33 (0)4 78 90 69 59 – [www.bene-inox.com](http://www.bene-inox.com) – [bene@bene-inox.com](mailto:bene@bene-inox.com)

Technical information, illustrations and photographs are provided for information only, they are not contractual. Some may vary according to the tolerances accepted in the profession and the applicable standards. All instructions for use, disassembly and maintenance are recommendations only. These could also vary depending on product usage conditions, its installation environment and purchaser requirements – of which the purchaser alone is responsible for their definition.

7347-A V0423



Connection: Inlet/Outlet	ØD x E pipe (mm)	Part number
G1/2" male/female BSPP	20 x 2.6	473473-1/2

## Use

U-form siphons are used to cool fluids before they enter into measuring instruments such as a pressure gauge or a sensor.

They are mainly used in steam applications. They allow fluids to condense to avoid measuring instruments being damaged by high temperature fluids.

A siphon also protects these instruments from damage caused by vibrations and pressure peaks.

You should use a pressure gauge gasket (model **7305**) to ensure that the siphon is correctly sealed during assembly into your system.

This siphon has a differential nut which complies with the DIN 16283 standard. This nut has a right-hand thread (RH) on one side and a left-hand (LH) thread on the other. This makes it possible to orientate the pressure gauge in any direction.

## Fluids

This siphon can be used with liquid or gaseous fluids as long as the fluids are chemically compatible with the valve parts that they can come into contact with.

