

Pressure measurement

Model **7383****Electronic pressure gauge****Digital display****Polycarbonate housing**

316L stainless steel male BSPP vertical connections



Specifications

Connection: complies with EN 837-1 male G 1/2" according to ISO 228-1**Ambient temperature:** -20°C to +70°C**Fluid temperature:** -20°C to +85°C**Pressure range:** -1/0 to 600bar**Accuracy:** class 0.25 according to EN 837**Material:** 1.4404 stainless steel (316L)

connector and polycarbonate display housing

FKM measuring instrument gasket

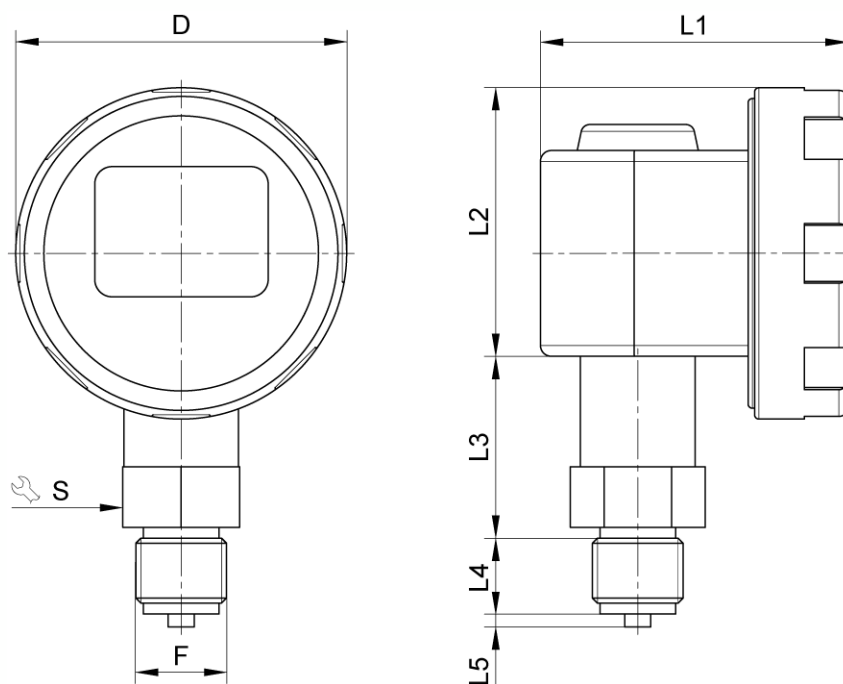
Alumina measuring element

Protection rating: IP65

Béné Inox – 11 chemin de la Pierre Blanche – 69800 SAINT-PRIEST – S.A.S with 240 000 € share capital – SIREN N° 311 810 287
Tel. N°: +33 (0)4 78 90 48 22 – Fax N°: +33 (0)4 78 90 69 59 – www.bene-inox.com – bene@bene-inox.com

Technical information, illustrations and photographs are provided for information only, they are not contractual. Some may vary according to the tolerances accepted in the profession and the applicable standards. All instructions for use, disassembly and maintenance are recommendations only. These could also vary depending on product usage conditions, its installation environment and purchaser requirements – of which the purchaser alone is responsible for their definition.

7383-A V0621



Dial Ø (mm)	D (mm)	F (mm)	L1 (mm)	L2 (mm)	L3 (mm)	L4 (mm)	L5 (mm)	S (mm)
76.5	76.5	G 1/2"	70.5	62	39.5	20	3	27

Pressure (bar)	Max. operating pressure (bar)	Part number Ø76.5
-1 / 0	4	673831-0
0 / 1	2	673831-1
0 / 2.5	4	673831-2
0 / 4	10	673831-4
0 / 6	10	673831-6
0 / 10	20	673831-10
0 / 16	40	673831-16
0 / 25	40	673831-25
0 / 40	100	673831-40
0 / 60	100	673831-60
0 / 100	200	673831-100
0 / 250	400	673831-250
0 / 400	600	673831-400
0 / 600	800	673831-600

Use

Description

Electronic pressure gauges work in the same way as mechanical pressure gauges with a needle: they measure pressure through the deformation of a measuring element.

This deformation is then transformed into an electronic signal using strain gauges; a voltage value corresponds to a pressure value.

Precision pressure gauges can be calibrated digitally. This gives them a high performance level and better characteristics than mechanical pressure gauges.

This electronic pressure gauge's functions include:

- a visual alarm for its limit values (min. and max.)
- a housing that can be oriented around 330°

Fluids

Electronic pressure gauges can be used with gaseous fluids and aggressive, non-viscous and non-crystallising liquids.

You must check the fluids are compatible with the 316L stainless steel connector, the alumina measuring element and the FKM gasket.

Accessories

Here is a list of all of our pressure gauge accessories:

- The pressure gauge can be isolated if you install it on a cock to facilitate maintenance and so that you do not need to purge the piping if you need to carry out maintenance on the measuring instrument.
 - Model **7388**: Pressure gauge cock - with 316 Ti stainless steel valve body and needle (including bleed screw)
 - Model **7389**: Pressure gauge valve - Brass
 - Model **7377**: Pressure gauge valve - 316 Ti stainless steel
- If you need to cool the fluid, when the fluid temperature is higher than the pressure gauge's temperature range:
 - Model **7346**: Trumpet form siphon - 316 stainless steel
 - Model **7347**: U-form siphon - 316 Ti stainless steel
 - Model **7348**: High pressure straight siphon - 316 Ti stainless steel
 - Model **7304**: Cooling fin - 316 stainless steel
- If you need to protect the pressure gauge from excess pressure:
 - Model **7349**: Pressure limiter - 316 stainless steel
 - Model **7350**: Pressure damper - 316 stainless steel
- Model **7312**: Pressure gauge options:
 - COFRAC calibration certificate
- Model **7305**: Pressure gauge gasket

Béné Inox – 11 chemin de la Pierre Blanche – 69800 SAINT-PRIEST – S.A.S with 240 000 € share capital – SIREN N° 311 810 287
Tel. N°: +33 (0)4 78 90 48 22 – Fax N°: +33 (0)4 78 90 69 59 – www.bene-inox.com – bene@bene-inox.com

Technical information, illustrations and photographs are provided for information only, they are not contractual. Some may vary according to the tolerances accepted in the profession and the applicable standards. All instructions for use, disassembly and maintenance are recommendations only. These could also vary depending on product usage conditions, its installation environment and purchaser requirements – of which the purchaser alone is responsible for their definition.