

Tank accessories



Model 8006 Front-flush aseptic flange - 316L stainless steel



Specifications

Dimensions: NPS 3/4" to NPS 3"

Material: 316L stainless steel

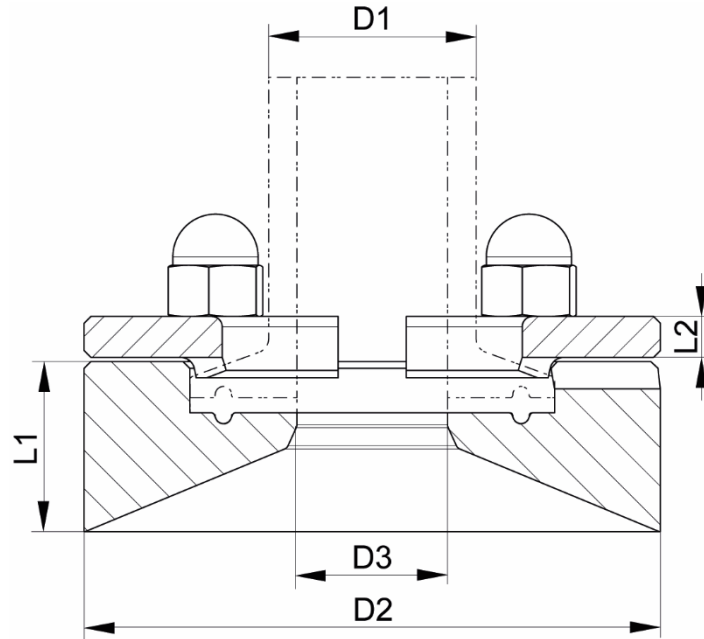
On request:

- SF4 finish

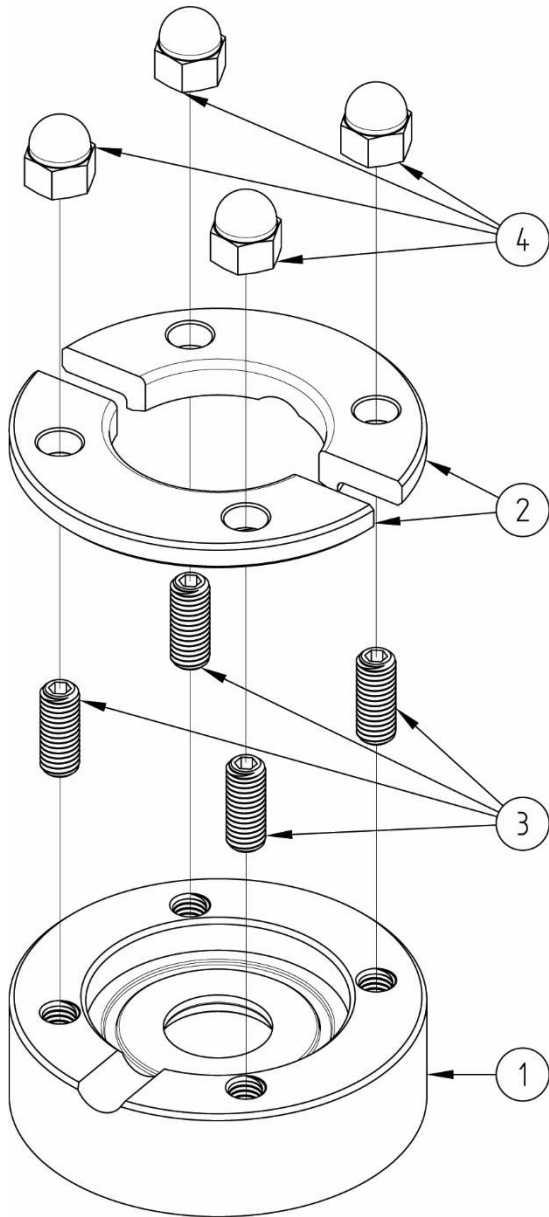


Béné Inox – 11 chemin de la Pierre Blanche – 69800 SAINT-PRIEST – S.A.S with 240 000 € share capital – SIREN N° 311 810 287 Tel. N°: +33 (0)4 78 90 48 22 – Fax: +33 (0)4 78 90 69 59 – www.bene-inox.com – bene@bene-inox.com

Technical information, illustrations and photographs are provided for information only, they are not contractual. Some may vary according to the tolerances accepted in the profession and the applicable standards. All instructions for use, disassembly and maintenance are recommendations only. These could also vary depending on product usage conditions, its installation environment and purchaser requirements – of which the purchaser alone is responsible for their definition.



NB (inches)	D1 (mm)	D2 (mm)	D3 (mm)	Ferrule Ø (mm)	L1 (mm)	L2 (mm)	Weight (kg)	Part number SF1
3/4"	19.05	54.5	15.75	25	25	6	0.100	680061-075
1"	25.4	84.5	22.1	50.4	25	6	0.189	680061-100
1"1/2	38.1	84.5	34.8	50.4	25	6	0.254	680061-150
2"	50.8	99.5	47.5	63.9	25	6	0.356	680061-200
2"1/2	63.5	112	60.2	77.4	38	10	0.356	680061-250
3"	76.2	131	72.9	90.9	38	10	0.788	680061-300



N°	Part Name	Material	Quantity
1	BODY	316L STAINLESS STEEL	1
2	SUPPORT RING	316L STAINLESS STEEL	2
3	STHC SCREW	A4	4
4	CAP NUT	A4	4

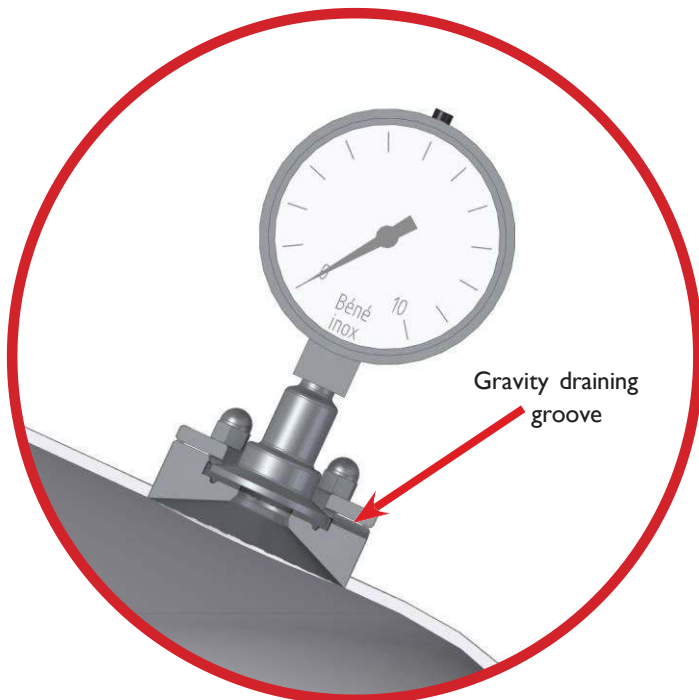
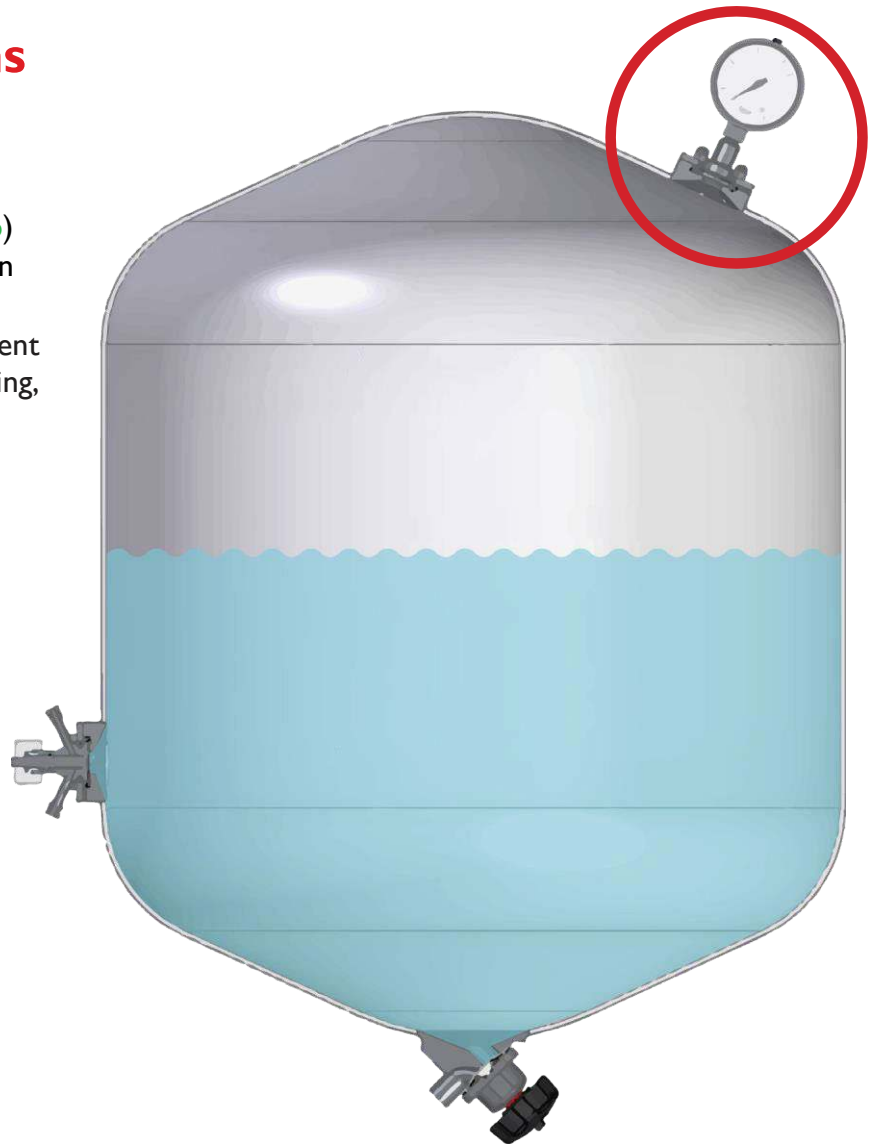
Assembly / Disassembly

The maintenance and removal/installation of the valve must be carried out by personnel who are qualified and trained for this type of intervention.

Unscrew the nuts **4** and remove the rings **2**.
If you need to, remove the STHC screws **3** from the body **1**.

Installation instructions

The front-flush aseptic flange (model **8006**) is designed for adding a clamp connection onto a tank without any fluid retention. This flange allows you to install different pieces of equipment (e.g. taps, piping, instruments, etc.) from 3/4" to 3".



The front-flush flange has a draining groove that prevents liquid from stagnating, as it allows fluid flow in wet environments.

You must position the groove facing downwards when you weld the flange onto the tank, to make sure that it can work effectively.